

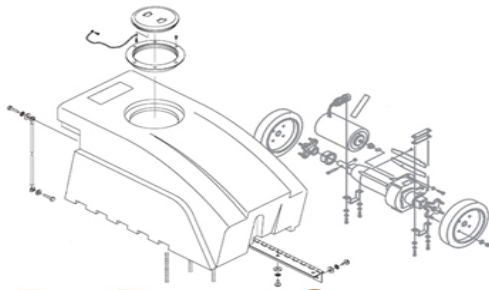


Model Part No.:
612963 - SpeedGleam
612964 - SpeedGleam Pac.
612965 - SpeedGleam Pac. Can.
612966 - SpeedGleam Plus
612967 - SpeedGleam Plus Pac.
612968 - SpeedGleam Plus Pac. Can.

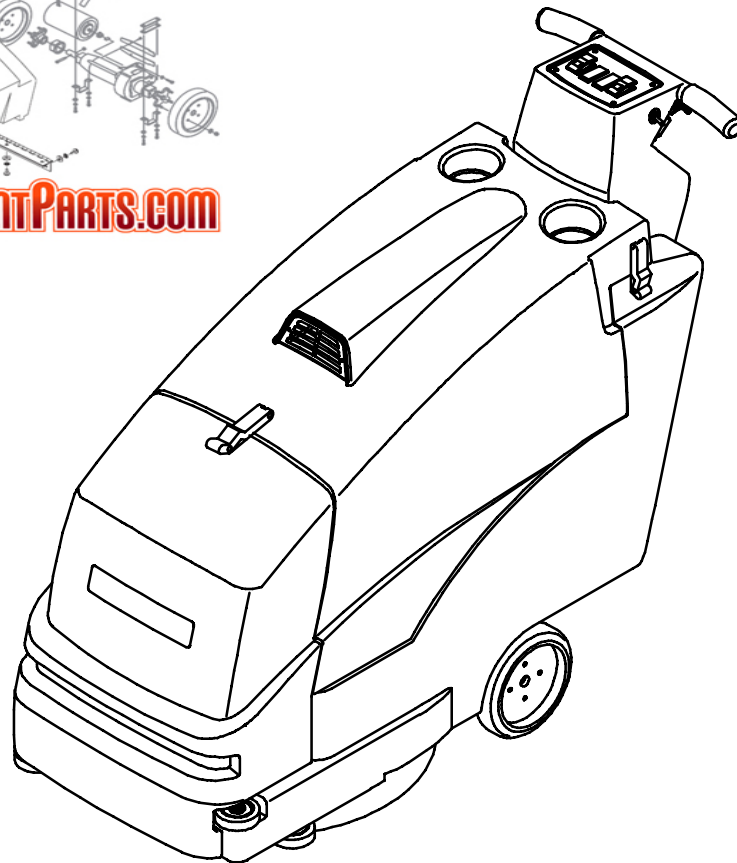
SPEEDGLEAM® / PLUS

36 VOLT DUST CONTROL BURNISHER
PULIDORA CON CONTROL DE POLVO DE 36V
MACHINE À POLIR À SYSTÈME DE CONTRÔLE
DE LA POUSSIÈRE DE 36V

OPERATOR AND PARTS MANUAL
MANUAL DEL OPERADOR Y REPUESTOS
MANUEL OPÉRATEUR ET PIÈCES



FLOOR-EQUIPMENT-PARTS.COM



OPERATION

This manual is furnished with each new model. It provides necessary operation and maintenance instructions and an illustrated parts list.

Read this manual completely and understand the machine before operating or servicing it.

When ordering replacement parts, use the illustrated parts lists section in this manual. Before ordering parts or supplies, be sure to have your machine model number and serial number available. Parts and supplies may be ordered by phone or mail from any authorized parts and service center, distributor or from any of the manufacturer's subsidiaries.

This machine will provide excellent service. However, the best results will be obtained at minimum costs if:

- The machine is operated with reasonable care.
- The machine is maintained regularly - per the machine maintenance instructions provided.
- The machine is maintained with manufacturer supplied or equivalent parts.

MACHINE DATA

Please fill out at time of installation for future reference.

Model No.- _____

Install. Date - _____

Serial No.- _____



PROTECT THE ENVIRONMENT

Please dispose of packaging materials, old machine components such as batteries, hazardous fluids such as antifreeze and oil, in a safe environmentally way according to your local waste disposal regulations.



Always remember to recycle.

Tennant Company

PO Box 1452

Minneapolis, MN 55440

Phone: (800) 553-8033 or (763) 513-2850

www.nobles.com

Specifications and parts are subject to change without notice.

©2002, 2005, 2007 Tennant Company. All rights reserved.

Printed in U.S.A.

TABLE OF CONTENTS	(ESPAÑOL....19)	(FRANÇAIS....39)	
SAFETY PRECAUTIONS	4	TRANSPORTING MACHINE	16
SAFETY LABELS	5	STORING MACHINE	16
MACHINE COMPONENTS	6	RECOMMENDED STOCK ITEMS	16
CONTROL PANEL SYMBOLS	6	TROUBLE SHOOTING	17
MACHINE INSTALLATION	7	SPECIFICATIONS	18
UNCRATING MACHINE	7	MACHINE DIMENSIONS	18
INSTALLING BATTERIES	7	ELECTRICAL DIAGRAMS	60
MACHINE SETUP	8	PARTS LIST	64
INSTALLING PAD	8	MAIN HOUSING GROUP	64
INSTALLING DUST CONTROL BAG	9	DUST BAG AND BATTERY COVER GROUP	66
ADJUSTING THE CONTROL GRIP HEIGHT	9	BATTERY AND CHARGER GROUP	67
MACHINE OPERATION	9	PAD DRIVER GROUP	68
PRE-OPERATION CHECKS	9	DRIVE GROUP (DRIVE MODEL)	70
BURNISHING WITH THE PUSH MODEL	9	WHEEL GROUP (PUSH MODEL)	72
BURNISHING WITH THE DRIVE MODEL	10	CONTROL CONSOLE GROUP	
WHILE OPERATING MACHINE	11	(DRIVE MODEL)	74
CIRCUIT BREAKERS	11	CONTROL CONSOLE GROUP	
EMERGENCY STOP BUTTON		(PUSH MODEL)	76
(DRIVE MODEL - OPTION)	12	OPTIONS	78
HOUR METER (OPTION)	12	HOUR METER KIT	78
LOW VOLTAGE PAD SHUT-OFF METER		LOW VOLTAGE SHUT-OFF KIT	78
(DRIVE MODEL - OPTION)	12	EMERGENCY STOP KIT	78
CHARGING BATTERIES	12	KEY SWITCH KIT	78
MACHINE MAINTENANCE	14	FLASHING LIGHT KIT	79
DAILY MAINTENANCE	14	PARKING BRAKE KIT	80
WEEKLY MAINTENANCE	14		
MONTHLY MAINTENANCE	14		
QUARTERLY MAINTENANCE	15		
BATTERY MAINTENANCE	15		


OPERATION

SAFETY PRECAUTIONS

This machine is intended for commercial use. It is designed exclusively to burnish dry hard floors in an indoor environment and is not constructed for any other use. Use only recommended burnishing pads and commercially available floor cleaners and waxes intended for machine application.

All operators must read, understand and practice the following safety precautions.

The following warning alert symbol and the "FOR SAFETY" heading are used throughout this manual as indicated in their description:

 **WARNING:** To warn of hazards or unsafe practices which could result in severe personal injury or death.

FOR SAFETY: To identify actions which must be followed for safe operation of equipment.

Failure to follow these warnings may result in personal injury, electrical shock, fire or explosion.

 **WARNING:** Fire Or Explosion Hazard:

- **Never Use Flammable Liquids Or Operate Machine in Or Near Flammable Liquids, Vapors Or Combustible Dusts.**

This machine is not equipped with explosion proof motors. The electric motors will spark upon start up and during operation which could cause a flash fire or explosion if machine is used in an area where flammable vapors/liquids or combustible dusts are present.

- **Do Not Pick Up Flammable Materials Or Reactive Metals.**
- **Batteries Emit Hydrogen Gas. Keep Sparks And Open Flame Away. Keep Battery Compartment Open When Charging.**

 **WARNING:** Electrical Shock Hazard. Disconnect Battery Cables Before Servicing Machine.

 **WARNING:** Moving Parts. Turn Off Power Before Working On Machine.

The following information signals potentially dangerous conditions to the operator or equipment:

FOR SAFETY:

1. **Do not operate machine:**
 - With flammable liquids or near flammable vapors as an explosion or flash fire may occur.
 - Unless trained and authorized.
 - Unless operator manual is read and understood.
 - If not in proper operating condition.
 - Without dust bag in place.
2. **Before operating machine:**
 - Make sure all safety devices are in place and operate properly.
3. **When using machine:**
 - Go slow on inclines and slippery surfaces.
 - Wear non-slip shoes.
 - Use care when reversing machine.
 - Reduce speed when turning.
 - Stay clear of spinning pad.
 - Report machine damage or faulty operation immediately.
 - Never allow children to play on or around.
4. **Before leaving or servicing machine:**
 - Stop on level surface.
 - Turn machine off.
 - Set parking brake, if equipped.
5. **When servicing machine:**
 - Avoid moving parts. Do not wear loose jackets, shirts, or sleeves.
 - Disconnect battery connections before working on machine.
 - Wear protective gloves and eye protection when handling batteries or battery cables.
 - Avoid contact with battery acid.
 - Block machine tires before jacking up.
 - Use hoist or jack that will support the weight of the machine.
 - Do not power spray or hose off machine. Electrical malfunction may occur.
 - Use manufacturer supplied or approved replacement parts.
 - All repairs must be performed by a qualified service person.
 - Do not modify the machine from its original design.

6. When transporting machine:

- Turn machine off.
- Do not lift machine when batteries are installed.
- Get assistance when lifting machine.

- Use a recommended ramp when loading/unloading on/off truck or trailer.
- Use tie-down straps to secure machine to truck or trailer.
- Set parking brake, if equipped.

SAFETY LABELS

The safety labels appear on the machine in the locations indicated. Replace labels if they are missing or become damaged or illegible.

WARNING LABEL - LOCATED ON THE BATTERY COVER.



BATTERY CHARGING LABEL -
LOCATED IN
BATTERY
COMPARTMENT.



⚠ WARNING: Fire or Explosion Hazard. Batteries emit hydrogen gas. Explosion or fire can result. Keep sparks and open flame away. Keep battery compartment open when charging.

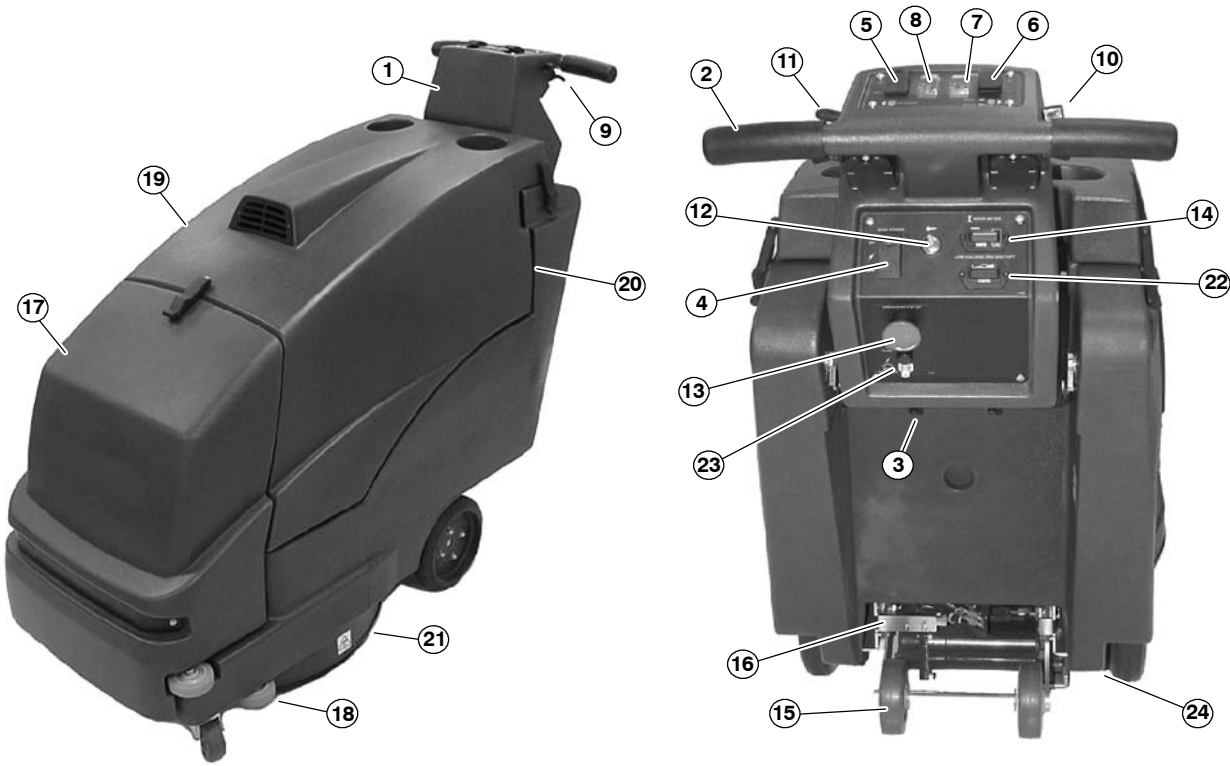


MOVING PARTS LABEL - LOCATED
ON THE SCRUB HEAD SHROUD.

⚠ WARNING: Moving parts. Turn off power before working on machine.

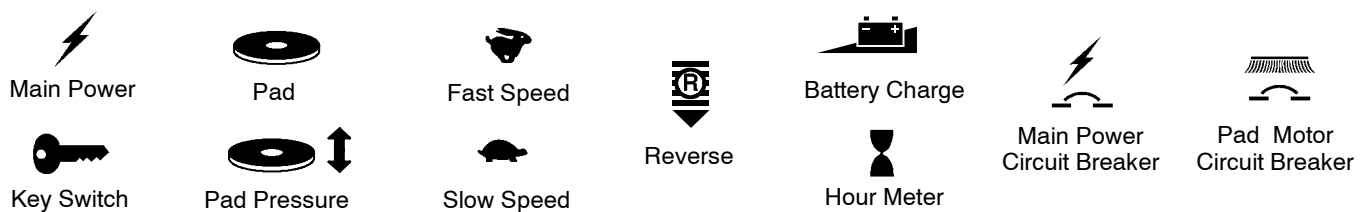
OPERATION

MACHINE COMPONENTS



- | | |
|---|--|
| 1. Adjustable Control Console | 13. Emergency Stop Switch (Option - Drive Model) |
| 2. Control Grips | 14. Hour Meter (Option) |
| 3. Console Height Adjustment Levers | 15. Rear Tilt Wheels - for pad installation |
| 4. Main Power ON/OFF Switch (Drive Model) | 16. Safety Tilt Shut-Off Switch - for pad installation |
| 5. Main Power ON/OFF Switch (Push Model)/ Pad ON/OFF Switch (Drive Model) | 17. Dust Control Bag Compartment |
| 6. Pad Pressure Switch | 18. Wall Rollers |
| 7. Pad Pressure Meter | 19. Battery Compartment Hood |
| 8. Battery Meter | 20. Battery Charge Plug |
| 9. Pad/Drive Start Triggers | 21. Dust Control Skirt |
| 10. Speed Control Knob (Drive Model) | 22. Low Voltage Interrupter Meter (Option) |
| 11. Reverse Trigger (Drive Model) | 23. Circuit Breaker Buttons |
| 12. Main Power ON/OFF Key Switch (Option) | 24. Parking Brake (Option - Drive Model) |

CONTROL PANEL SYMBOLS



MACHINE INSTALLATION

UNCRATING MACHINE

Carefully check carton for signs of damage. Report damages at once to carrier.

Check Machine Contents to ensure package is complete. Contact distributor for missing items.

Machine Contents:

- 2 - Battery Cables #611116000
- 6 - Black Battery Boots #611221
- 1 - Battery Tray #604298
- 1 - Dust Bag, Cloth (Installed) #900210.
- 1 - Dust Bag, Paper #611781
- 1 - 20 inch Hair Blend Burnishing Pad (installed) #611788 - Carton of 5.
- 3 - 12V 215AH Batteries #600394 (included with machine PAC #612964 and 612967 only).
- 1 - Battery Charger, 36DC/25A, 120V #469760868 (included with all machine PACs).

To uncrate your machine, remove shipping straps and carefully lift or use a ramp to remove machine from pallet. Do not roll machine off pallet, damage may result.

ATTENTION: To prevent machine damage, install batteries after removing machine from pallet.

FOR SAFETY: When transporting machine, do not lift machine if batteries are installed.

ATTENTION: You must remove wire-tie before operating machine.



INSTALLING BATTERIES

⚠ WARNING: Fire Or Explosion Hazard. Batteries Emit Hydrogen Gas. Keep Sparks And Open Flame Away. Keep Battery Compartment Open When Charging.

FOR SAFETY: When servicing machine, wear protective gloves and eye protection when handling batteries and battery cables. Avoid contact with battery acid.

Recommended Battery Specifications:

Three 12 volt, deep cycle, 215 amp hour batteries. Part Number #600394. Maximum battery dimensions are 178 mm (7 in)W x 394 mm (15.5 in)L x 362 mm (14.25 in) H.

1. Park the machine on a level surface.
2. Turn the main power switch to the OFF position and remove key, if equipped.
3. Unlatch and hinge open both the dust bag hood and the battery hood to access the battery compartment.

Remove the two loose battery cables and cable boots from the battery tray (Figure 1).



FIG. 1

4. Carefully install the batteries into the battery tray with the battery posts arranged as shown. Then place the battery carrying handles on top of the batteries to allow clearance for battery hood (Figure 2).



FIG. 2

OPERATION

ATTENTION: Do not drop batteries into compartment. Battery and machine housing damage may result.

- Before connecting the battery cables, make sure the terminals and posts are clean. Use a post cleaner and wire brush if necessary.

NOTE: Apply a light coating of non-metallic grease or protective spray on the cable connections to prevent battery corrosion.

- Using the cable boots, connect the battery cables to the battery posts as shown, RED TO POSITIVE & BLACK TO NEGATIVE (Figure 3).

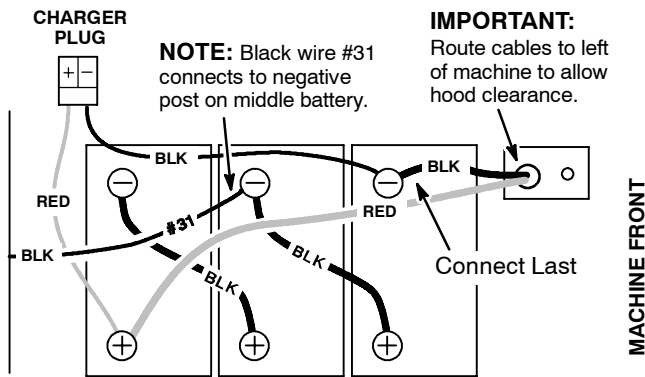


FIG. 3

- Double check cable connections and close hood, fasten hood latches.

MACHINE SETUP

INSTALLING PAD

NOTE: Consult your authorized distributor for pad recommendations.

Pad Specifications required:

- For 2000 RPM burnishing.
- 25.4mm (1.0 in) thickness
- 508mm (20 in) dia. with 89mm (3.5 in) center hole.

NOTE: Machine is not designed for spray buffing.

- Turn the main power switch off and tilt the machine back on its rear wheels (Figure 4).

FOR SAFETY: Before leaving or servicing machine, stop on level surface, turn off machine, and set parking brake, if equipped.

NOTE: For safety, when machine is tilted on its rear wheels, power to the pad motor automatically shuts off.



FIG. 4

ATTENTION: Do not leave machine tilted back for an extended time, battery acid may leak.

- Remove the plastic centerlock from pad driver by squeezing the retainer clip on the centerlock (Figure 5).

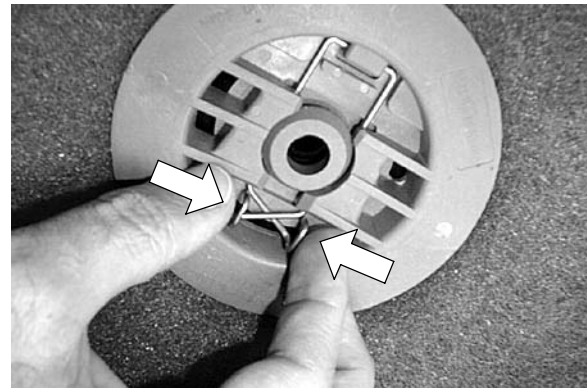


FIG. 5

- Position the pad centered on the pad driver and replace the centerlock securely (Figure 6).

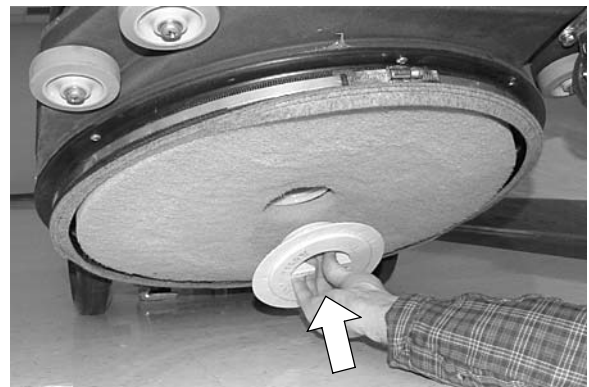


FIG. 6

ATTENTION: Do not operate machine without a pad and/or centerlock in place.

- After installing pad, return machine to operating position.

INSTALLING DUST CONTROL BAG

1. Open the dust control bag compartment at the front of the machine.
2. Slide the bag over the plastic snout. Close compartment (Figure 7).



FIG. 7

3. Empty or replace the dust bag daily. Do not allow bag to fill beyond half full.

ADJUSTING THE CONTROL GRIP HEIGHT

The machine has three control grip height settings.

1. Locate the two spring loaded levers below the console (Figure 8).
2. Squeeze the levers together and lift or lower control grips to a comfortable operating height (Figure 8).

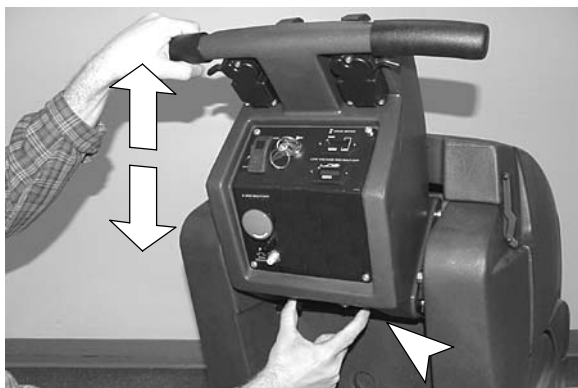


FIG. 8

MACHINE OPERATION

FOR SAFETY: Do not operate machine unless operator manual is read and understood.

⚠ WARNING: Fire Or Explosion Hazard. Never Use Flammable Liquids Or Operate Machine in Or Near Flammable Liquids, Vapors Or Combustible Dusts.

PRE-OPERATION CHECKS

1. Sweep floor and remove debris.
2. Check condition of pad.
3. Check battery charge level (*For accurate reading pad must be spinning*). Batteries will need recharging if battery meter reads in the yellow or red zone.
4. Check that the dust control bag is installed.
5. Make sure the floor is completely dry.

BURNISHING WITH THE PUSH MODEL

1. Turn key on, if equipped, then turn the main power to the ON position (Figure 9).

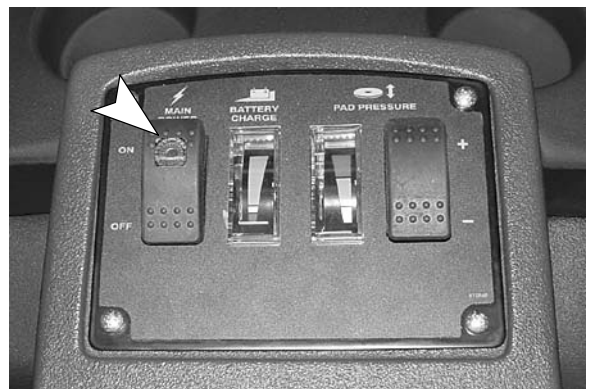


FIG. 9

2. Pull the trigger switches to start the pad spinning. The pad will automatically draw to floor (Figure 10).

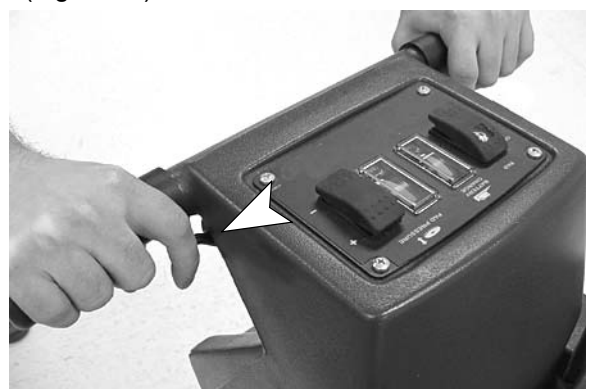


FIG. 10

OPERATION

3. Slowly push the machine forward to begin burnishing.

FOR SAFETY: When using machine, go slow on inclines and slippery surfaces.

4. Press the pad pressure switch to increase (+) or decrease (-) the pad pressure. Adjust the pad pressure so that the pad pressure meter reads within the green zone (Figure 11).

ATTENTION: Do not operate the machine with the pad pressure meter adjusted in the red zone, floor damage and brush motor overload will result.

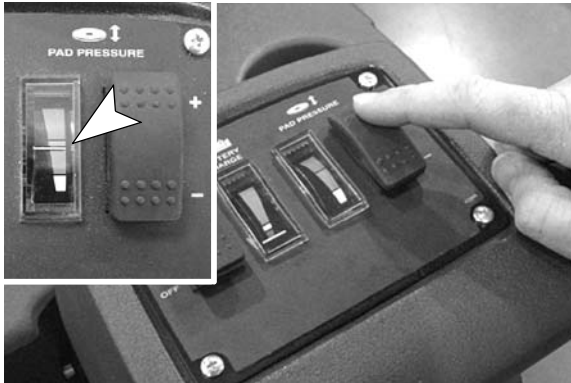


FIG. 11

NOTE: If machine vibrates, remove pad and realign.

ATTENTION: Keep machine moving at all times to prevent floor damage.

5. To stop burnishing, release the triggers. The pad will automatically raise to the transport position.

FOR SAFETY: When transporting machine, do not lift machine if batteries are installed.

BURNISHING WITH THE DRIVE MODEL

1. Turn key on, if equipped, then turn the main power and pad switches to the ON position (Figure 12).



FIG. 12

2. Turn the speed control knob to the slowest setting. This will prevent an abrupt take off (Figure 13).

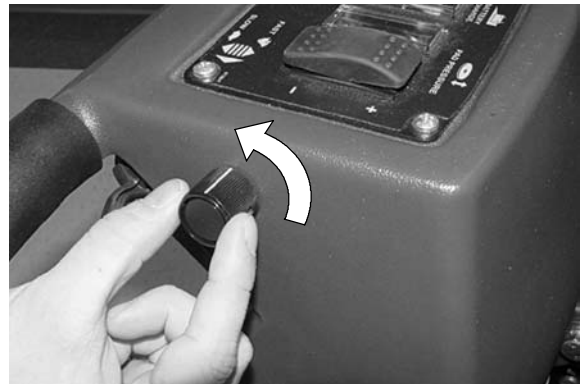


FIG. 13

3. Pull the trigger switches to begin burnishing. The machine will slowly begin to move forward and the pad will automatically draw to floor and begin to spin. To increase the speed, gradually turn the speed control knob to the desired speed (Figure 14).



FIG. 14

FOR SAFETY: When using machine, go slow on inclines and slippery surfaces.

4. Press the pad pressure switch to increase (+) or decrease (-) the pad pressure. Adjust the pad pressure so that the pad pressure meter reads within the green zone (Figure 15).

ATTENTION: Do not operate the machine with the pad pressure meter adjusted in the red zone, floor damage and brush motor overload will result.

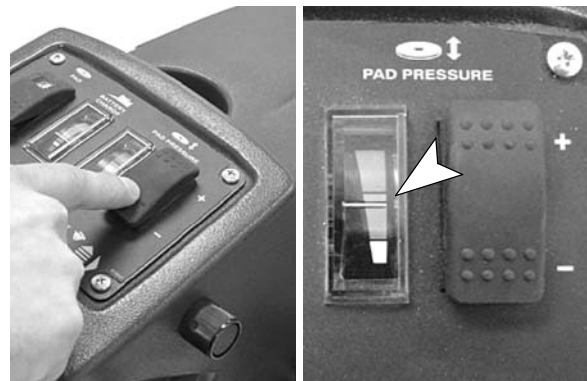


FIG. 15

NOTE: If machine vibrates, realign pad.

ATTENTION: Keep machine moving at all times to prevent floor damage.

- To operate machine in reverse, simply pull the reverse trigger (Figure 16).



FIG. 16

- To stop machine, release the triggers. The pad will automatically raise to the transport position.
- To transport machine, turn the pad switch off and pull the triggers. The pad will automatically raise to the transport position.

FOR SAFETY: When transporting machine, do not lift machine if batteries are installed.

WHILE OPERATING MACHINE

- Always operate the machine with caution when burnishing around walls and obstacles.
- Always reduce speed to maintain control when turning.
- Stay clear of floor obstructions, such as electrical plates or grates, they will destroy pad. Tilt machine back to avoid floor obstructions.

NOTE: For safety, when machine is tilted on its rear wheels, power to the pad motor automatically shuts off.

- Change or turn the pads over when worn or soiled.
- Check the pad pressure meter reading periodically. Adjust meter within the green zone.

ATTENTION: Do not operate the machine with the pad pressure meter adjusted in the red zone, floor damage and brush motor overload will result.

- Check the battery meter's discharge level periodically. When the meter's needle drops into the yellow caution zone, stop burnishing and recharge the batteries (Figure 17).

ATTENTION: Do not operate machine with the battery meter in the red zone, battery damage may result.

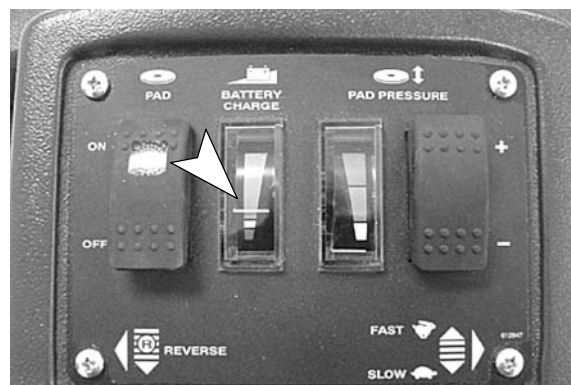


FIG. 17

- If the pad motor circuit breaker should trip, reduce the pad pressure and/or replace soiled pad (See CIRCUIT BREAKERS).

FOR SAFETY: Before leaving or servicing machine, stop on level surface, turn off machine, and set parking brake, if equipped.

FOR SAFETY: When transporting machine, do not lift machine if batteries are installed.

⚠ WARNING: Fire Or Explosion Hazard. Never Use Flammable Liquids Or Operate Machine in Or Near Flammable Liquids, Vapors Or Combustible Dusts.

CIRCUIT BREAKERS

The machine is equipped with two resettable circuit breakers (Main Power-15A / Pad Motor-80A) and one fuse (Control Board-2A, drive Model) to protect machine from damage.

If the pad motor circuit breaker should trip, determine cause, allow motor to cool, then reset. The pad motor circuit breaker will trip due to excessive pad motor overload. Change the pad or reduce the pad pressure if the pad motor circuit breaker should trip.

When replacing the 2A fuse, never substitute a higher fuse than specified. The Main Power Circuit Breaker and Control Board Fuse is located at the rear of the control console. The Pad Motor Circuit Breaker is located under the battery hood at front of machine (Figure 18).



FIG. 18

OPERATION

EMERGENCY STOP BUTTON (Drive Model - Option)

To stop the machine in the event of an emergency, hit the red emergency stop button located at rear of control console. The emergency stop button immediately stops all power to machine.

To reset emergency stop button, shut off all switches and turn red button to the right. Resume normal operation (Figure 19). Order part number #612971 for field install kit.



FIG. 19

HOUR METER (Option)

The hour meter records number of hours the machine has been powered on. Use the hour meter to determine when to perform recommended maintenance procedures and to record service history (Figure 20). Order part number #612939 for the field install kit.



FIG. 20

LOW VOLTAGE PAD SHUT-OFF METER (Drive Model - Option)

The Low Voltage Pad Shut-off Meter Option will shut off the power to the pad motor when the battery discharge level nears recharging time. This allows the operator to use the remaining battery charge to transport the machine to the charging station (Figure 21).

Meter Operation: As the batteries discharge to a low level, one LED light on the meter will begin to blink, signalling the operator it's nearing time to recharge the batteries. When two LED lights on the meter begin to blink alternately, the power to the pad motor will automatically shut off. At this time, transport machine to charging station.

Order part number #612941 for the field install kit.



FIG. 21

CHARGING BATTERIES

ATTENTION: To prolong the life of the batteries and to provide optimum machine performance, ONLY recharge the batteries after a total of 30 minutes of use or more. Do not leave batteries discharged for lengthy periods.

The following charging instructions are intended for battery chargers supplied with the machine. Only use a battery charger with the following specifications to prevent battery damage.

BATTERY CHARGER SPECIFICATIONS:

- OUTPUT VOLTAGE - 36 VOLTS
- OUTPUT CURRENT - 25 AMPS MAXIMUM
- AUTOMATIC SHUTOFF CIRCUIT
- FOR DEEP CYCLE BATTERY CHARGING

1. Transport machine to a flat, dry surface in a well-ventilated area for charging.

⚠ WARNING: Fire Or Explosion Hazard. Batteries Emit Hydrogen Gas. Keep Sparks And Open Flame Away. Keep Battery Compartment Open When Charging.

2. Turn all switches to the OFF position and remove key if equipped. Set parking brake, if equipped.
3. Unlatch and hinge open both the dust bag hood and the battery hood to access the battery compartment.
4. Before charging the batteries, check the electrolyte level in each battery cell (Figure 22).



FIG. 22

FOR SAFETY: When servicing machine, wear protective gloves and eye protection when handling batteries and battery cables. Avoid contact with battery acid.

The electrolyte level (A) should slightly cover the battery plates (B). Add distilled water as needed. DO NOT OVERFILL, the fluid may expand and overflow while charging. Replace cell caps before charging (Figure 23).

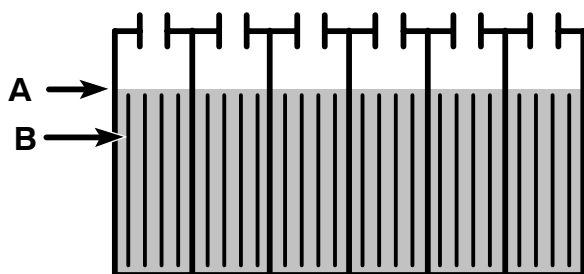


FIG. 23

5. Connect the charger's AC power supply cord to a properly grounded receptacle (Figure 24).

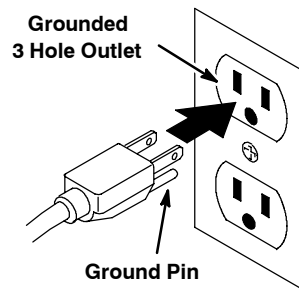


FIG. 24

6. Connect battery charger into machine as shown. Flip up hood support stand and rest hood on stand to promote ventilation (Figure 25).

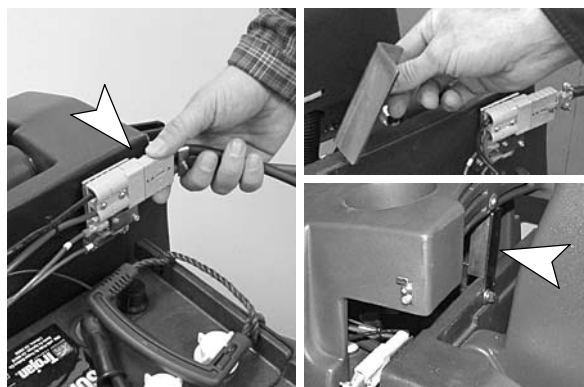


FIG. 25

7. The charger will automatically begin charging and shut off when fully charged.

ATTENTION: Do not disconnect the charger's DC cord from the machine's receptacle when the charger is operating. Arcing may result. If the charger must be interrupted during charging, disconnect the AC power supply cord first.

⚠ WARNING: Fire Or Explosion Hazard. Batteries Emit Hydrogen Gas. Keep Sparks And Open Flame Away. Keep Battery Compartment Open When Charging.

8. After charging, check the electrolyte level (A) again. The level should be approximately 1 cm from the bottom of the fill-port (B) (Figure 26). Add distilled water if needed. DO NOT OVERFILL.

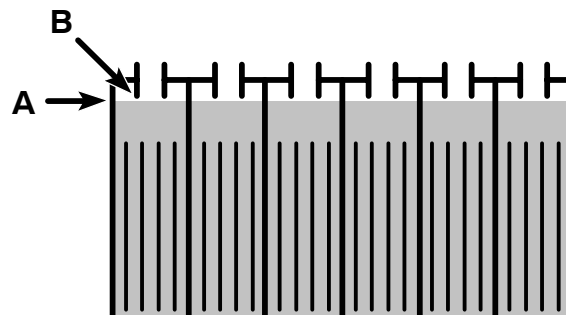


FIG. 26

OPERATION

MACHINE MAINTENANCE

To keep the machine in good working condition, simply follow the daily, weekly, monthly and quarterly maintenance procedures.

⚠ WARNING: Electrical Shock Hazard. Disconnect Battery Cables Before Servicing Machine.

DAILY MAINTENANCE (After Every Use)

1. Remove the burnishing pad and clean or replace (Figure 27).



FIG. 27

2. Empty or replace the dust control bag. Remove the bag clip to empty bag (Figure 28). Do not allow bag to fill beyond half full.

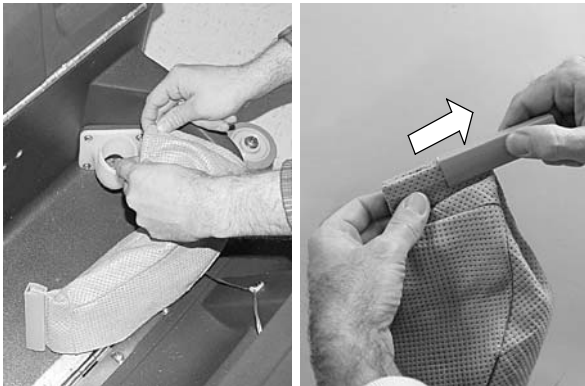


FIG. 28

3. Clean the machine with an all purpose cleaner and damp cloth (Figure 29).

FOR SAFETY: When cleaning machine, do not power spray or hose off machine. Electrical malfunction may occur.



FIG. 29

4. Recharge the batteries after a total of 30 minutes of use or more (See CHARGING BATTERIES).

WEEKLY MAINTENANCE (Every 20 Hours of Use)

With an air pressure hose, blow out the dust that collects inside the pad driver motor. This will prolong the life of the motor. **Safety Glasses required** (Figure 30).



FIG. 30

MONTHLY MAINTENANCE (Every 80 Hours of Use)

1. Check the fluid level in each battery cell (See BATTERY MAINTENANCE).
2. Clean the battery tops of corrosion (See BATTERY MAINTENANCE).
3. Check for loose or corroded battery cables.
4. Lubricate the caster with a water resistant grease.
5. Check the machine for loose nuts and bolts.
6. Check the condition of the dust skirt, replace if worn (Figure 31).



FIG. 31

QUARTERLY MAINTENANCE (Every 250 Hours of Use)

Check the drive transaxle motor, the vacuum motor and the brush motor for carbon brush wear. Replace carbon brushes when worn to a length of 10 mm (0.38 in) or less (Figure 32).

Contact an Authorized Service Center for machine repairs.

FOR SAFETY: When servicing machine, all repairs must be performed by a qualified service person.

⚠ WARNING: Electrical Shock Hazard.
Disconnect Battery Cables Before Servicing Machine.

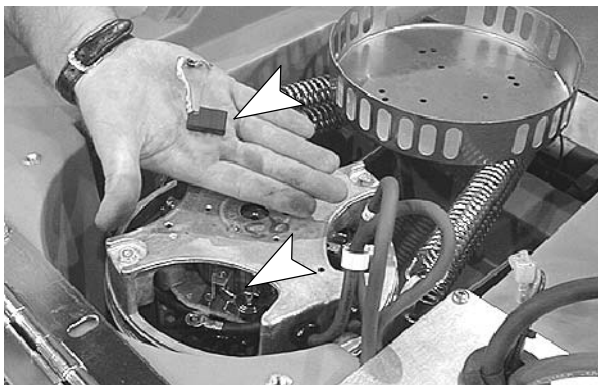


FIG. 32

BATTERY MAINTENANCE

⚠ WARNING: Fire Or Explosion Hazard.
Batteries Emit Hydrogen Gas. Keep Sparks And Open Flame Away. Keep Battery Compartment Open When Charging.

FOR SAFETY: When servicing machine, wear protective gloves and eye protection when handling batteries and battery cables. Avoid contact with battery acid.

1. Check the specific gravity using a hydrometer to determine the charge level and the condition of the batteries (Figure 33). If one or more of the battery cells read lower than the other battery cells (0.050 or more), the cell is damaged, shorted, or is about to fail. Check the hydrometer readings against the following chart to determine the remaining battery charge level.

NOTE: Do not take readings immediately after adding distilled water. If the water and acid are not thoroughly mixed, the readings may not be accurate.



FIG. 33

SPECIFIC GRAVITY at 27°C (80°F)	BATTERY CHARGE
1.265	100% CHARGED
1.223	75% CHARGED
1.185	50% CHARGED
1.148	25% CHARGED
1.110	DISCHARGED

NOTE: If the readings are taken when the battery electrolyte is any temperature other than 27°C (80°F), the reading must be temperature corrected. Add or subtract to the specific gravity reading 0.004, 4 points, for each 6°C (43°F) above or below 27°C (80°F).

2. Always follow proper charging instructions (See CHARGING BATTERIES).
3. Check the electrolyte level (A) in each battery cell after charging batteries. The level should be approximately 1 cm from the bottom of the fill-port (B). Add distilled water if needed (Figure 34). DO NOT OVERFILL.

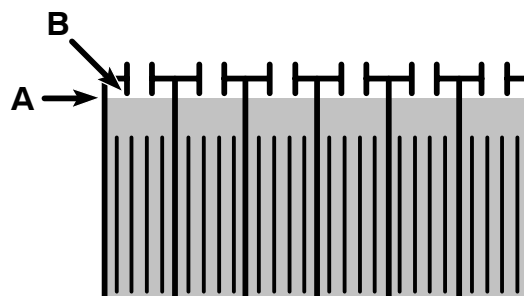


FIG. 34

OPERATION

- Keep the battery tops clean to prevent battery corrosion.

To clean batteries:

FOR SAFETY: When servicing machine, wear protective gloves and eye protection when handling batteries and battery cables. Avoid contact with battery acid.

- Mix a strong solution of baking soda and water (Figure 35).



FIG. 35

- Brush the solution sparingly over the battery tops and cable connectors.

NOTE: Do not allow baking soda solution to enter battery cells.

- Use a wire brush to clean the battery terminals and cable connectors.
- After cleaning, apply a coating of clear battery post protectant to the terminals and cable connectors.

- Check for loose or worn cables. Replace if worn.

TRANSPORTING MACHINE

When transporting the machine by use of trailer or truck, be certain to follow the tie-down procedures below:

ATTENTION: Tilt the machine back on its rear wheels when loading and unloading to prevent dust skirt damage.

- Load the machine using a recommended loading ramp.

NOTE: When lifting the machine, you must remove the batteries.

FOR SAFETY: When transporting machine, do not lift machine if batteries are installed. Get assistance when lifting machine.

- Position the front of the machine up against the front of the trailer or truck bed.

- Set parking brake, if equipped, and place blocks behind the main wheels.
- Place tie-down straps over the top of the machine and secure straps to the floor. It may be necessary to install tie-down brackets to the floor of your trailer or truck.

NOTE: Do not use control grips to secure machine for transporting.

FOR SAFETY: When transporting machine, use a recommended ramp when loading/unloading on/off truck or trailer. Use tie-down straps to secure machine to truck or trailer.

ATTENTION: Do not transport machine tilted back, battery acid may leak.

STORING MACHINE

Store machine in a dry area in the upright position.

ATTENTION: Do not store machine tilted back, battery acid may leak.

ATTENTION: Do not expose to rain. Store indoors.

RECOMMENDED STOCK ITEMS

Refer to the Parts List section in this manual for recommended stock items. Stock Items are clearly identified with a bullet preceding the parts description. See example below:

Ref.	Part No.	Description	Qty.
1	701103	ASM., STANDPIPE	1
2	180613	•FLOAT, SHUTOFF	1
3	230187	NIPPLE	1
4	101714	•GASKET	1
5	210240	NUT, FLANGED	1

TROUBLE SHOOTING

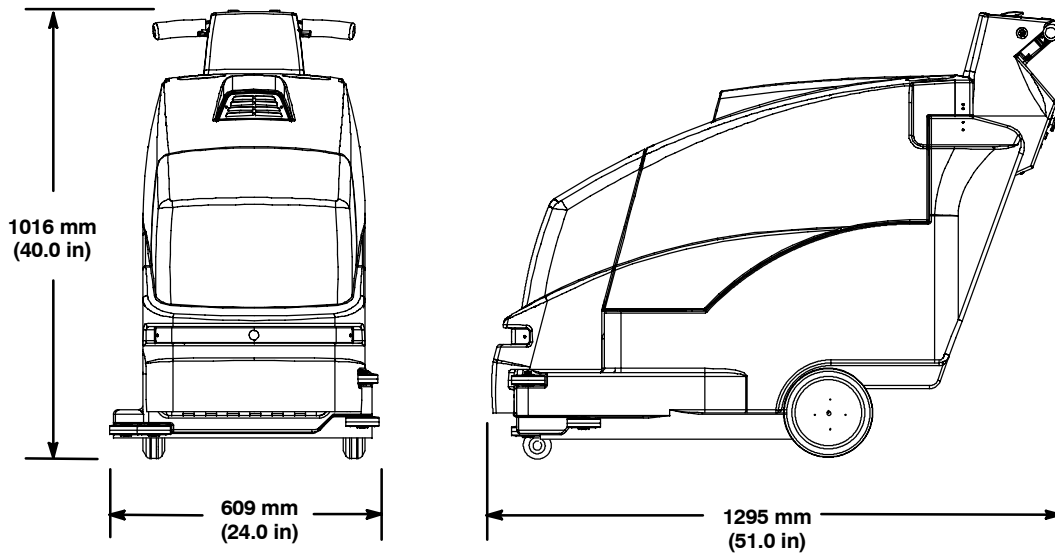
PROBLEM	CAUSE	SOLUTION
No Power.	Faulty main power switch.	Contact Service Center.
	Faulty key switch, if equipped.	Contact Service Center.
	Faulty battery(s).	Replace battery(s).
	Loose battery cable.	Tighten loose cables.
	Improper battery cable connection.	See INSTALLING BATTERIES.
	Tripped Main Power circuit breaker.	Determine cause and reset breaker.
	Charger is connected.	Disconnect Battery charger.
	Emergency stop button activated, if equipped.	Turn button to reset.
Pad motor does not operate.	Faulty trigger switch(es).	Contact Service Center.
	Tripped pad motor circuit breaker.	Replace pad/adjust pressure and reset breaker. Or replace 2A fuse.
	Blown fuse (2A).	Replace the 2A fuse.
	Faulty contactor.	Contact Service Center.
	Faulty wiring.	Contact Service Center.
	Faulty pad drive motor.	Contact Service Center.
	Worn carbon brushes.	Contact Service Center.
	Machine is tilted back on rear wheels.	Lower machine from tilt position.
	Faulty tilt shut-off switch near rear wheels.	Contact Service Center.
Drive motor does not operate or operates incorrectly (Drive Model).	Faulty trigger switch(es).	Contact Service Center.
	Faulty speed control board or connection.	Contact Service Center.
	Faulty solenoid.	Contact Service Center.
	Faulty drive motor.	Contact Service Center.
	Faulty wiring.	Contact Service Center.
	Worn carbon brushes.	Contact Service Center.
	Faulty potentiometer or speed control board.	Contact Service Center.
	Loose wire connection.	Contact Service Center.
Short run time.	Low battery charge.	Charge batteries.
	Defective battery cell(s).	Replace battery.
	Batteries need maintenance.	See BATTERY MAINTENANCE.
	Faulty battery charger.	Replace charger.

OPERATION

SPECIFICATIONS

Model	SpeedGleam® (Push Model)	SpeedGleam® Plus (Drive Model)
LENGTH	1295 mm (51 in)	1295 mm (51 in)
WIDTH	609 mm (24 in)	609 mm (24 in)
HEIGHT	1016 mm (40 in)	1016 mm (40 in)
WEIGHT WITH BATTERIES	240 Kg (529 lb)	246 Kg (544 lb)
DRIVE SYSTEM	N/A (Pad assisted)	.2 hp Transaxle
DRIVE SPEED	N/A	Variable 0-73 m (0-240 ft) per min.
PAD WIDTH	508 mm (20 in)	508 mm (20 in)
PAD MOTOR	36V, 3hp, 2000 rpm, 80A, 2238W	36V, 3hp, 2000 rpm, 80A, 2238W
PAD PRESSURE	Variable 7-19 kg (15-40 lb)	Variable 7-19 kg (15-40 lb)
DUST CONTROL BAG	Cloth - 98% @ 1.0 micron	Cloth Bag - 98% @ 1.0 micron
BATTERIES	3-215 amp/hour, 12v deep cycle	3-215 amp/hour, 12v deep cycle
RUN TIME, CONTINUOUS	Up to 2.4 hours	Up to 2.2 hours
DECIBEL RATING AT OPERATOR'S EAR, INDOORS ON TILE	70dB(A)	70dB(A)

MACHINE DIMENSIONS



Este manual se incluye en todos los modelos nuevos. Proporciona la información necesaria para su utilización y mantenimiento.

Lea todo el manual detenidamente para comprender la máquina antes de utilizarla o revisarla.

Use la Lista de Piezas incluida en este manual al ordenar piezas de repuesto. Antes de ordenar piezas o suministros, asegúrese de tener el número de modelo y el número de serie de su máquina. Las piezas y los suministros pueden ordenarse por teléfono o por correo de cualquier centro autorizado de piezas y servicios, distribuidor de piezas o de cualquier subsidiaria del fabricante.

Esta máquina proporcionará un servicio excelente. Sin embargo, los mejores resultados se obtienen a un costo mínimo si:

- La máquina se opera con un cuidado razonable.
- La máquina se mantiene con regularidad, según las instrucciones de mantenimiento provistas.
- La máquina se mantiene con las piezas provistas por el fabricante o equivalentes.

DATOS DE LA MÁQUINA

Por favor complete al momento de la instalación para referencia futura.

No. de Modelo- _____

Fecha de instalación - _____

No. de Serie- _____



PROTECCIÓN DEL MEDIO AMBIENTE

Deseche el material de embalaje, los componentes usados de la máquina como las baterías y los líquidos peligrosos como el anticongelante y el aceite, de forma segura para el medio ambiente, de acuerdo con las normativas o disposiciones locales.



No olvide reciclar.

ÍNDICE

MEDIDAS DE SEGURIDAD	21	TRANSPORTE DE LA MÁQUINA	35
ADHESIVOS DE SEGURIDAD	22	ALMACENAMIENTO DE LA MÁQUINA	35
COMPONENTES DE LA MÁQUINA	23	STOCK RECOMENDADO DE REPUESTOS ...	35
SIMBOLOS DEL PANEL DE CONTROL	23	LOCALIZACIÓN DE FALLAS	36
INSTALACIÓN DE LA MÁQUINA	24	ESPECIFICACIONES	37
DESEMPAQUE DE LA MÁQUINA	24	DIMENSIONES DE LA MÁQUINA	38
INSTALACIÓN DE LA BATERÍAS	24	DIAGRAMAS ELECTRICAS	60
PREPARACIÓN DE LA MÁQUINA	25	LISTA DE PIEZAS	64
INSTALACIÓN DE LA ALMOHADILLA	25	GRUPO PRINCIPAL DEL CERRAMIENTO .	64
INSTALACIÓN DE LA BOLSA DE		GRUPO DE LA CUBIERTA DE LA BATERÍA	
CONTROL DE POLVO	26	Y BOLSA COLECTORA DE POLVO	66
AJUSTE DE LA ALTURA DE LA		GRUPO DE LA BATERÍA Y	
EMPUÑADURA DE CONTROL	26	DEL CARGADOR	67
OPERACIÓN DE LA MÁQUINA	27	GRUPO IMPULSOR DE LA ALMOHADILLA	68
INSPECCIONES DE PREOPERACIÓN	27	GRUPO DE TRANSMISIÓN	
PULIDO CON EL MODELO DE EMPUJE ...	27	(MODELO IMPULSOR)	70
PULIDO CON EL MODELO IMPULSOR	28	CONJUNTO DE LA RUEDA	
AL OPERAR LA MÁQUINA	29	(MODELO DE EMPUJE)	72
INTERRUPTORES DE CIRCUITO	29	CONJUNTO CONSOLA DE CONTROLES	
BOTÓN DE PARO DE EMERGENCIA		(MODELO IMPULSOR)	74
(MODELO IMPULSOR - OPCIÓN)	30	CONJUNTO CONSOLA DE CONTROLES	
MEDIDOR HORARIO (Opción)	30	(MODELO DE EMPUJE)	76
MEDIDOR DE CORTE DE LA		OPCIONES	78
ALMOHADILLA DE BAJO VOLTAJE		JUEGO DE MEDIDOR HORA	78
(MODELO IMPULSOR - OPCIÓN)	30	JUEGO DE APAGADO DE BAJO VOLTAJE .	78
CARGA DE LAS BATERÍAS	31	JUEGO DE PARO DE EMERGENCIA	78
MANTENIMIENTO DE LA MÁQUINA	32	JUEGO DEL CONMUTADOR DE LLAVE ...	78
MANTENIMIENTO DIARIO	32	JUEGO DE LUZ CENTELLEANTE	79
MANTENIMIENTO SEMANAL	33	JUEGO DEL FRENO DE	
MANTENIMIENTO MENSUAL	33	ESTACIONAMIENTO	80
MANTENIMIENTO TRIMESTRAL	33		
MANTENIMIENTO DE LA BATERÍA	34		

MEDIDAS DE SEGURIDAD

Esta máquina está destinada al uso comercial. Está diseñada exclusivamente para pulir pisos secos duros en un ambiente interior y no se construye para ningún otro uso. Usa sólo almohadillas/cepillos recomendados y limpiadores de suelo y ceras disponibles comercialmente y ceras destinados para la aplicación de la máquina.

Todos los operarios deben leer, comprender y cumplir las siguientes medidas de seguridad.

A lo largo de todo el manual se utilizan los siguientes símbolos de advertencia y encabezados "PARA SU SEGURIDAD" descritos a continuación:

⚠ ADVERTENCIA: Advierte sobre riesgos o prácticas inseguras que podrían provocar lesiones personales graves o fatales.

PARA SU SEGURIDAD: Identifica las operaciones que debe realizar para una utilización segura del equipo.

El no cumplimiento de estas advertencias puede causar lesiones personales, descargas eléctricas, incendios y explosiones.

⚠ ADVERTENCIA: Peligro de incendio o explosión:

- Nunca utilice líquidos inflamables ni haga funcionar la máquina en las proximidades de líquidos, vapores o polvos inflamables.

La máquina no está equipada con motores a prueba de explosiones. Los motores eléctricos producirán chispas tanto durante el arranque y como durante su utilización que pueden provocar incendios o explosiones si utiliza la máquina en presencia de líquidos o vapores inflamables o partículas combustibles.

- No recoja materiales inflamables ni metales reactivos.
- Las baterías emiten hidrógeno. Mantenga chispas y llamas alejadas de la máquina. Mantenga el compartimento de la batería abierto mientras realiza la operación de carga.

⚠ ADVERTENCIA: Peligro choque eléctrico. Desconecte los cables de la batería antes de realizar reparaciones en la máquina.

⚠ ADVERTENCIA: Piezas móviles. Apague la máquina antes de trabajar en ella.

La siguiente información indica las condiciones potencialmente peligrosas para el operario o equipo:

PARA SU SEGURIDAD:

1. No utilice la máquina:
 - Con líquidos inflamables o cerca de gases inflamables, ya que podría provocar explosiones o llamaradas.
 - Salvo que esté debidamente formado y autorizado.
 - Salvo haber leído y comprendido el manual del operario.
 - Si la máquina no funciona correctamente.
 - Sin la bolsa colectora de polvo en su lugar.
2. Antes de operar máquina:
 - Asegúrese de que todos los dispositivos de seguridad se encuentren en su lugar y funcionen correctamente.
3. Al utilizar la máquina:
 - Conduzca despacio en pendientes y superficies resbaladizas.
 - Utilice calzado antideslizante.
 - Sea precavido al retroceder la máquina.
 - Reduzca la velocidad al realizar giros.
 - Aléjese de la almohadilla giratoria.
 - Informe inmediatamente de las averías de la máquina o si el funcionamiento no es correcto.
 - No permita nunca que los niños jueguen encima o alrededor de la máquina.
4. Antes de abandonar o revisar la máquina:
 - Deténgase en una superficie horizontal.
 - Apague la máquina.
 - Ponga el freno de estacionamiento, si existe.
5. Al revisar la máquina:
 - Evite las partes en movimiento. No utilice chaquetas, camisas o mangas sueltas.
 - Desconecte las conexiones de la batería antes de empezar a trabajar en la máquina.
 - Utilice guantes y gafas de protección al trabajar con las baterías o sus cables.
 - Evite el contacto con el ácido de la batería.
 - Bloquee las ruedas de la máquina antes de alzar.
 - Use gúinches o gatos para soportar el peso de la máquina.
 - No moje la máquina rociándola o utilizando una manguera. Pueden producirse fallos eléctricos.

OPERACIÓN

- Utilice repuestos suministrados o aprobados por el fabricante.
 - Todas las reparaciones deben ser realizadas por personal técnico cualificado.
 - No modifique el diseño original de la máquina.
6. Al transportar la máquina:
- Apague la máquina.
 - No levante la máquina con las baterías instaladas.
 - Pida ayuda para levantar la máquina.
 - Utilice una rampa al cargar/descargar la máquina en/de un camión o remolque.
 - Utilice las cintas para fijar la máquina al camión o remolque.
 - Ponga el freno de estacionamiento, si existe.

ADHESIVOS DE SEGURIDAD

Los adhesivos de seguridad se encuentran en las posiciones indicadas a continuación. Sustituya los adhesivos si se han desprendido, están deteriorados o son ilegibles.

ETIQUETA DE ADVERTENCIA - LOCALIZADA EN LA CUBIERTA DE LA BATERÍA



ETIQUETA DE CARGA DE LA BATERIA - UBICADA EN EL COMPARTIMIENTO DE LA BATERÍA.

⚠ ADVERTENCIA: Peligro de incendio o explosión. Las baterías emiten gas hidrógeno. Puede resultar en explosión o incendio. Mantenga alejadas las chispas y llamas expuestas. Al cargar mantenga abierto el compartimiento de la batería.

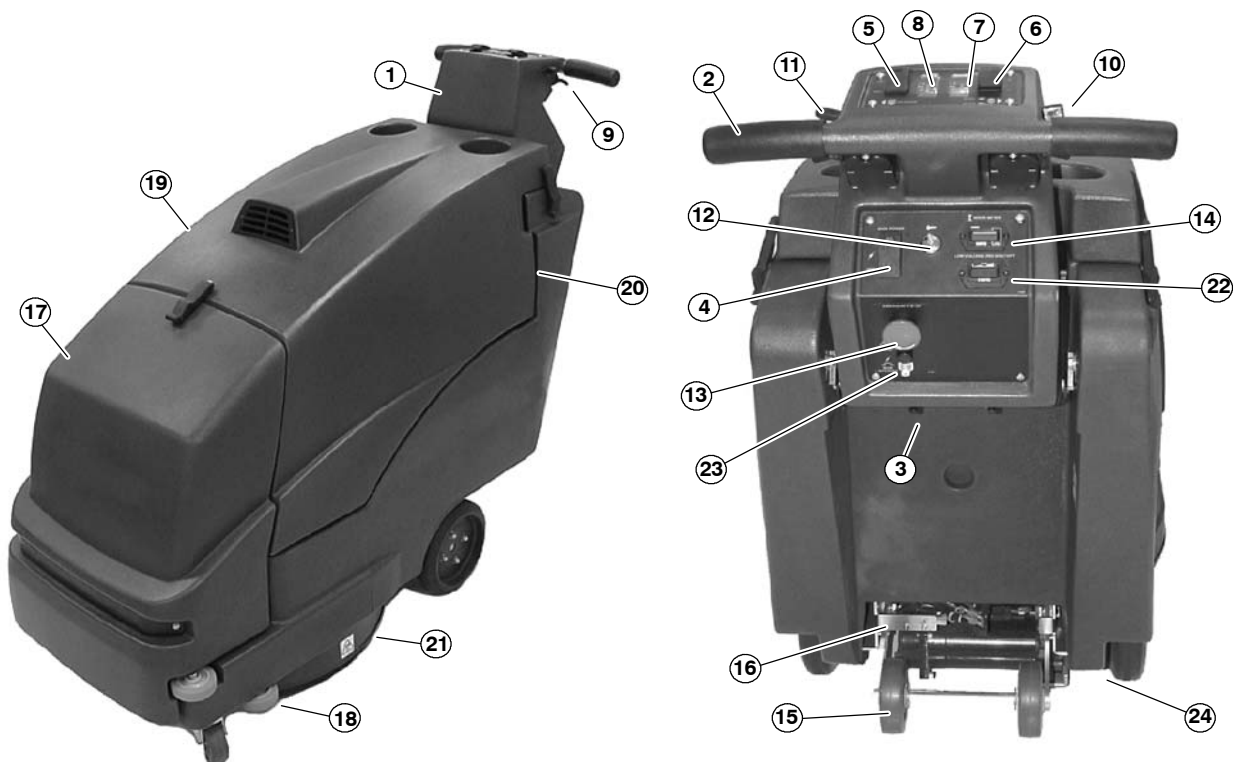


ETIQUETA DE PIEZAS MOVILES - UBICADA EN LA CUBIERTA DEL CABEZAL DEL CEPILLO.

⚠ ADVERTENCIA: Piezas móviles. Apague la electricidad antes de trabajar en máquina.



COMPONENTES DE LA MÁQUINA



- | | |
|---|---|
| <ol style="list-style-type: none"> 1. Consola ajustable de control 2. Empuñaduras de control 3. Palancas de ajuste de altura de la consola 4. Conmutador ON/OFF de la electricidad principal (Modelo impulsor) 5. Conmutador ON/OFF de la electricidad principal (Modelo de empuje)/Conmutador ON/OFF de la almohadilla (Modelo impulsor) 6. Conmutador de presión de la almohadilla 7. Medidor de presión de la almohadilla 8. Medidor de la batería 9. Gatillos de arranque de la almohadilla/impulsor 10. Perilla de control de velocidad (Modelo impulsor) 11. Gatillo de retroceso (Modelo impulsor) 12. Conmutador ON/OFF de la electricidad principal (Opción) | <ol style="list-style-type: none"> 13. Conmutador de parada de emergencia (Opción - Modelo impulsor) 14. Medidor horario (Opción) 15. Ruedas inclinadoras posteriores - para instalación de la almohadilla 16. Conmutador de apagado de seguridad de inclinación - para instalación de la almohadilla 17. Compartimento de la bolsa de control de polvo 18. Rodillos de pared 19. Campana del compartimento de la batería 20. Tapón de carga de la batería 21. Faldón de control de polvo 22. Medidor interruptor de bajo voltaje (Opción) 23. Botones de interruptor de circuito 24. Freno de estacionamiento (Opción - Modelo impulsor) |
|---|---|

SÍMBOLOS DEL PANEL DE CONTROL



INSTALACIÓN DE LA MÁQUINA

DESEMPAQUE DE LA MÁQUINA

Inspeccione cuidadosamente la caja por señales de daños. Informar inmediatamente al transportista si hay daños.

Inspeccione el contenido de la máquina para asegurarse que el envío está completo. Consultar con el distribuidor por artículos faltantes.

Contenidos de la máquina:

- 2 - Cables de batería N°611116000
- 6 - Protector negro de la batería N°611221
- 1 - Bandeja de batería N°604298
- 1 - Bolsa para polvo, tela (Instalada) N°900210.
- 1 - Bolsa para polvo, papel N°611781
- 1 - Almohadilla pulidora de mezcla de cabello de 20 pulgadas (instalada) N°611788-Caja de 5.
- 3 - Baterías 215AH de 12V (Opcional) N°600394
- 1 - Cargador de batería, 36CC/25A, 120V (Opcional) N°469760868.

Para desempacar su máquina, extraiga las bandas metálicas y eleve cuidadosamente o use una rampa para extraer la máquina de la tarima. No ruede la máquina fuera de la tarima ya que puede resultar en daños.

ATENCIÓN: Para prevenir daños a la máquina, instalar las baterías después de extraer la máquina de la tarima.

PARA SU SEGURIDAD: Al transportar la máquina, no eleve la máquina si las baterías están instaladas.

ATENCIÓN: Usted debe quitar alambre-ata antes de funcionar la máquina.



INSTALACIÓN DE LA BATERÍAS

⚠ ADVERTENCIA: Peligro de incendio o explosión. Las baterías emiten hidrógeno. Mantenga chispas y llamas alejadas de la máquina. Mantenga el compartimento de la batería abierto mientras realiza la operación de carga.

PARA SU SEGURIDAD: Al prestar servicio a la máquina, use guantes protectores y lentes de seguridad al manejar las baterías o los cables de la batería. Evite el contacto con el ácido de la batería.

Especificaciones recomendadas de la batería:

Tres baterías de 12 voltios, ciclo profundo, 215 amp hora. Número de pieza 600394. Las dimensiones máximas de la batería son 178 mm (7 pulg.) Ancho x 394 mm (15.5 pulg.) Largo x 362 mm (14.25 pulg.) Alto.

1. Estacione la máquina en una superficie nivelada.
2. Gire el conmutador de electricidad principal a la posición OFF y extraiga la llave, si equipada.
3. Destrabe y abra la campana de la bolsa para polvo y la campana de la batería para obtener acceso al compartimento de la batería.

Extraiga los dos cables sueltos de la batería y las botas de cable de la bandeja de la batería (Figura 1).



FIG. 1

4. Instale cuidadosamente las baterías en la bandeja de la batería con los postes de la batería arreglados según se muestra. A continuación coloque los mangos de transporte de la batería en la parte superior de la misma para permitir espacio para la campana de la batería (Figura 2).



FRENTE DE LA MÁQUINA

FIG. 2

ATENCIÓN: No deje caer las baterías dentro del compartimiento. Esto puede resultar en daños a la batería y al cerramiento de la máquina.

5. Antes de conectar los cables de la batería, asegúrese de que los bornes y terminales están limpios. Utilice un limpiador de bornes y un cepillo de cerdas metálicas si es necesario.

NOTA: Aplique una fina capa de grasa no metálica o spray de protección en las conexiones del cable para evitar la aparición de corrosión en la batería.

6. Usando las botas de cable, conecte los cables de la batería a los postes de la batería según se muestra, ROJO A POSITIVO y BLANCO A NEGATIVO (Figura 3).

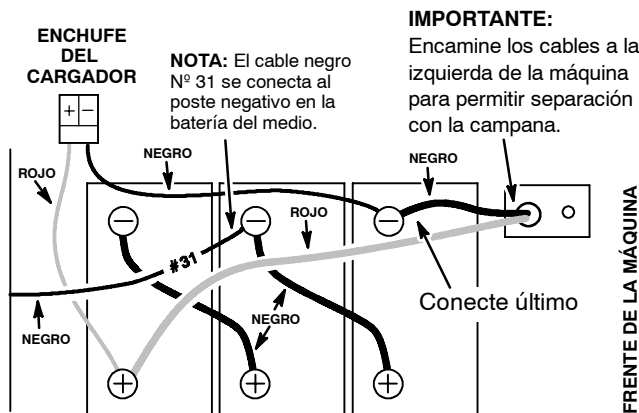


FIG. 3

7. Verifique dos veces el buen estado de las conexiones de cable y cierre el capó ajustando los seguros correspondientes.

PREPARACIÓN DE LA MÁQUINA

INSTALACIÓN DE LA ALMOHADILLA

NOTA: Para recomendaciones de la almohadilla consulte con su distribuidor autorizado.

Especificaciones requeridas de la almohadilla:

- Para pulido de 2000 RPM.
- Espesor de 25.4mm (1.0 pulg.)
- Diám. de 508mm (20 pulg.) con orificio central de 89mm (3.5 pulg.).

NOTA: La máquina no está diseñada para pulido con rociado.

1. Girar el conmutador de la electricidad principal a off (apagado) e incline la máquina hacia atrás sobre las ruedas posteriores (Figura 4).

PARA SU SEGURIDAD: Antes de abandonar o revisar la máquina, deténgala en una superficie horizontal y apague la máquina. Ponga el freno de estacionamiento, si existe.

NOTA: Para su seguridad, cuando la máquina está inclinada sobre su parte superior, se corta automáticamente la electricidad al motor de la almohadilla.



FIG. 4

ATENCIÓN: No deje la máquina inclinada hacia atrás mucho tiempo ya que puede haber pérdidas del ácido de la batería.

OPERACIÓN

- Empuje el clip de sujeción del cierre central para extraer la almohadilla (Figura 5).

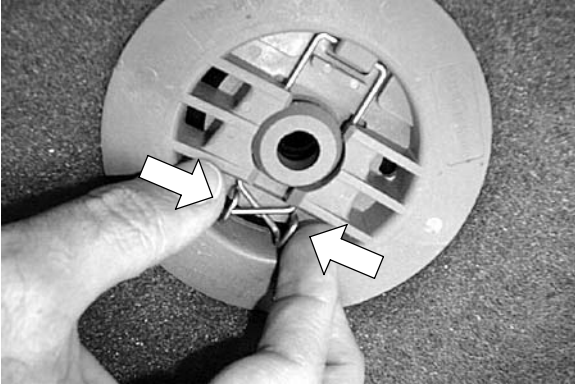


FIG. 5

- Coloque en posición la almohadilla centrada en el impulsor de la almohadilla y vuelca a colocar seguramente la traba central (Figura 6).



FIG. 6

ATENCIÓN: No opere la máquina sin la almohadilla y/o traba central en su lugar.

- Retorne la máquina a la posición operativa, después de instalar la almohadilla.

INSTALACIÓN DE LA BOLSA DE CONTROL DE POLVO

- Abra el compartimento de la bolsa de control de polvo en la parte delantera de la máquina.
- Deslice la bolsa sobre la saliente plástica. Cierre el compartimento (Figura 7).



FIG. 7

- Vacíe o reemplace la bolsa para polvo diariamente. No permita que la bolsa se llene más de la mitad.

AJUSTE DE LA ALTURA DE LA EMPUÑADURA DE CONTROL

Esta máquina tiene tres graduaciones de la altura de la empuñadura de control.

- Ubique las dos palancas tensionadas a resorte debajo de la consola (Figura 8).
- Oprima las dos palancas juntas y eleve o baje las empuñaduras de control a una altura cómoda de operación (Figura 8).

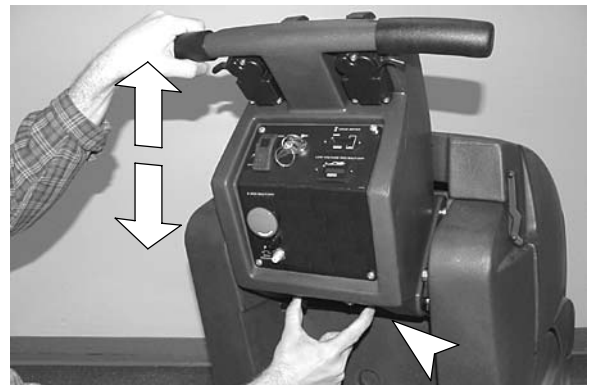


FIG. 8

OPERACIÓN DE LA MÁQUINA

PARA SU SEGURIDAD: No utilice la máquina salvo que haya leído y comprendido el manual del operario.

⚠ ADVERTENCIA: Peligro de incendio o explosión. Nunca utilice líquidos inflamables ni haga funcionar la máquina en las proximidades de líquidos, vapores o polvos inflamables.

INSPECCIONES DE PREOPERACIÓN

1. Barra el piso y retire los desechos.
2. Inspeccione la condición de la almohadilla.
3. Inspeccione el nivel de carga de la batería (Para una lectura precisa la almohadilla debe estar girando). Si el medidor de la batería lee en las zonas amarilla o roja, las baterías requieren recargarse.
4. Inspeccionar que la bolsa de control de polvo está instalada.
5. Asegúrese que el piso está completamente seco.

PULIDO CON EL MODELO DE EMPUJE

1. Gire la llave a la posición "on", si así equipada, a continuación coloque el control de la electricidad principal en la posición ON (Figura 9).

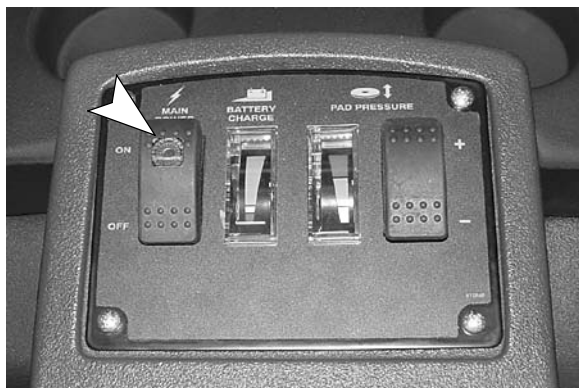


FIG. 9

2. Accione los conmutadores de gatillo para comenzar el giro de la almohadilla. La almohadilla baja automáticamente al piso (Figura 10).



FIG. 10

3. Para comenzar a pulir, empuje lentamente la máquina hacia adelante.

PARA SU SEGURIDAD: Al usar la máquina, avance lentamente sobre pendientes y superficies resbalosas.

4. Oprima el conmutador de presión de la almohadilla para aumentar(+) o disminuir (-) la presión de la almohadilla. Ajuste la presión de la almohadilla de manera que el medidor de presión de la almohadilla lea dentro de la zona verde (Figura 11).

ATENCIÓN: No opere la máquina con el medidor de presión de la almohadilla ajustado en la zona roja ya que resulta en daños al piso y sobrecarga del motor del cepillo.

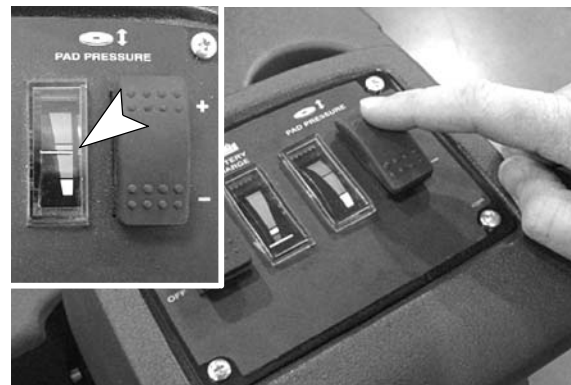


FIG. 11

NOTA: Si la máquina vibra, extraiga la almohadilla y realínela.

ATENCIÓN: Mantenga la máquina en movimiento en todo momento para prevenir daños al piso.

5. Para detener el pulido, suelte los gatillos. La almohadilla se eleva automáticamente a la posición de transporte.

PARA SU SEGURIDAD: Al transportar la máquina, no levante la máquina si las baterías están instaladas.

PULIDO CON EL MODELO IMPULSOR

1. Gire la llave a la posición "ON", si así equipada, a continuación conecte los conmutadores de la electricidad principal y de la almohadilla a la posición ON (Figura 12).



FIG. 12

2. Gire la perilla de control de velocidad a la graduación más baja. Esto previene un arranque abrupto (Figura 13).



FIG. 13

3. Active los conmutadores de gatillo para comenzar a pulir. La máquina comienza a avanzar lentamente y la almohadilla baja automáticamente al piso y comienza a girar. Para aumentar la velocidad, gire gradualmente la perilla de control de velocidad a la velocidad deseada (Figura 14).



FIG. 14

PARA SU SEGURIDAD: Al usar la máquina, avance lentamente sobre pendientes y superficies resbalosas.

4. Oprima el conmutador de presión de la almohadilla para aumentar (+) o disminuir (-) la presión de la almohadilla. Ajuste la presión de la almohadilla de manera que el medidor de presión de la almohadilla lea dentro de la zona verde (Figura 15).

ATENCIÓN: No opere la máquina con el medidor de presión de la almohadilla ajustado en la zona roja ya que resulta en daños al piso y sobrecarga del motor del cepillo.

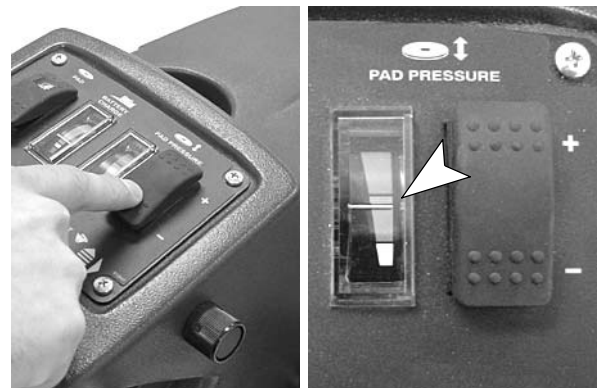


FIG. 15

NOTA: Realinee la almohadilla, si la máquina vibra.

ATENCIÓN: Mantenga la máquina en movimiento en todo momento para prevenir daños al piso.

5. Para operar la máquina en retroceso, simplemente active el gatillo de retroceso (Figura 16).



FIG. 16

6. Para detener la máquina, suelte los gatillos. La almohadilla se eleva automáticamente a la posición de transporte.
7. Para transportar la máquina, apague el conmutador de la almohadilla y active los gatillos. La almohadilla se eleva automáticamente a la posición de transporte.

PARA SU SEGURIDAD: Al transportar la máquina, no levante la máquina si las baterías están instaladas.

AL OPERAR LA MÁQUINA

1. Operar siempre la máquina con precaución al pulir alrededor de paredes y obstáculos.
2. Al girar siempre reduzca la velocidad para mantener el control.
3. Manténgase alejado de obstrucciones en el piso, tales como placas o rejillas ya que los mismos pueden destrozar la almohadilla. Para evitar las obstrucciones en el piso, incline la máquina hacia atrás.

NOTA: PARA SU SEGURIDAD, cuando la máquina se inclina sobre sus ruedas posteriores, la electricidad al motor de la almohadilla se corta automáticamente.

4. Cambie o invierta las almohadillas cuando están gastadas o sucias.
5. Inspeccione periódicamente la lectura del medidor de presión. Ajuste el medidor dentro de la zona verde.

ATENCIÓN: No opere la máquina con el medidor de presión de la almohadilla ajustado en la zona roja ya que resulta en daños al piso y sobrecarga del motor del cepillo.

6. Inspeccione periódicamente el nivel de descarga de la batería. Cuando la aguja del medidor cae dentro de la zona amarilla de precaución, detenga el pulido y recargue las baterías (Figura 17).

ATENCIÓN: No opere la máquina con el medidor de batería en la zona roja ya que puede resultar en daños a la batería.

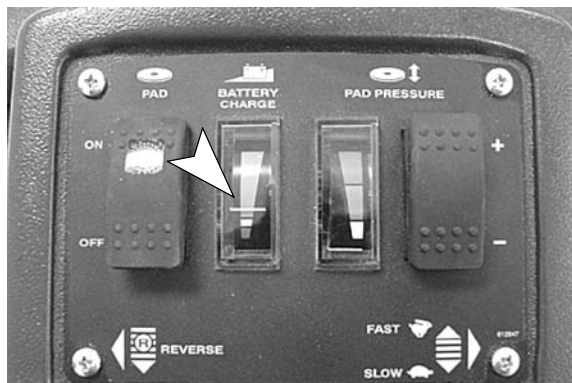


FIG. 17

7. Si se activa el interruptor de circuitos del motor de la almohadilla, reduzca la presión de la almohadilla y/o reemplace la almohadilla sucia (Consulte INTERRUPTORES DE CIRCUITO).

PARA SU SEGURIDAD: Antes de abandonar o revisar la máquina, deténgala en una superficie horizontal y apague la máquina. Ponga el freno de estacionamiento, si existe.

PARA SU SEGURIDAD: Al transportar la máquina, no levante la máquina si las baterías están instaladas.

⚠ ADVERTENCIA: Peligro de incendio o explosión. Nunca utilice líquidos inflamables ni haga funcionar la máquina en las proximidades de líquidos, vapores o polvos inflamables.

INTERRUPTORES DE CIRCUITO

La máquina está equipada con dos interruptores de circuito regraduables (Electricidad principal-15A / Motor de la almohadilla-80A) y un fusible (Tablero de control-2A, modelo impulsor) para proteger la máquina contra daños.

Si se activa el interruptor de circuito del motor de la almohadilla, determine la causa, permita que el motor se enfríe, a continuación regradúe. El interruptor de circuito del motor de la almohadilla se activa debido a una sobrecarga excesiva del motor de la almohadilla. Si se activa el interruptor de circuito del motor de la almohadilla, cambie la almohadilla o reduzca la presión sobre la almohadilla.

Al reemplazar el fusible de 2A, nunca sustituya por un fusible mayor al especificado. El fusible del interruptor de circuito de la electricidad principal y del tablero de control está ubicado en la parte posterior de la consola de control. El interruptor de circuito del motor de la almohadilla está ubicado debajo de la campana de la batería en la parte delantera de la máquina (Figura 18).

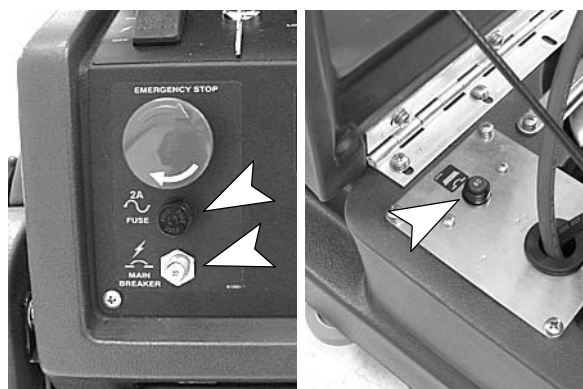


FIG. 18

OPERACIÓN

BOTÓN DE PARO DE EMERGENCIA (Modelo Impulsor - Opción)

Para parar la máquina en el caso de una emergencia, active el botón rojo de emergencia ubicado en la parte posterior de la consola de control. El botón de paro de emergencia inmediatamente corta toda la electricidad a la máquina.

Para regraduar el botón de paro de emergencia, apague todos los conmutadores y gire el botón rojo a la derecha. Reanude la operación normal (Figura 19). Ordene la pieza N° 612971 para el juego de instalación en el terreno.

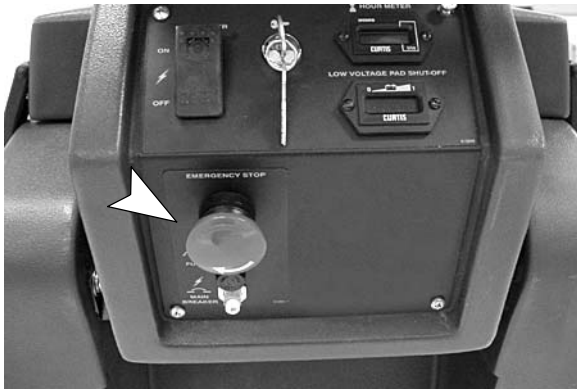


FIG. 19

MEDIDOR HORARIO (Opción)

El medidor horario registra la cantidad de horas que la máquina ha sido activada. Use el medidor horario para determinar cuando efectuar los procedimientos recomendados de mantenimiento y para registrar el historial de servicio (Figura 20). Ordene la pieza N° 612939 para el juego de instalación en el terreno.



FIG. 20

MEDIDOR DE CORTE DE LA ALMOHADILLA DE BAJO VOLTAJE (Modelo impulsor - Opción)

La opción del medidor de corte de la almohadilla de bajo voltaje corta al electricidad al motor de la almohadilla cuando el nivel de descarga de la batería se acerca al momento de recarga. Esto permite que el operador use la carga restante de la batería para transportar la máquina a la estación de carga (Figura 21).

Operación del medidor: A medida que las baterías se descargan a un nivel bajo, una luz LED en el medidor comienza a centellear, señalando al operador que es tiempo de recargar las baterías. Cuando las dos luces LED en el medidor comienzan a centellear alternativamente, la electricidad al motor de la almohadilla se corta automáticamente. En este momento, transporte la máquina a la estación de carga. Ordene la pieza N° 612941 para el juego de instalación en el terreno.



FIG. 21

CARGA DE LAS BATERÍAS

ATENCIÓN: Para prolongar la vida útil de las baterías y obtener un rendimiento óptimo de la máquina, recargue ÚNICAMENTE las baterías si se ha utilizado la máquina más de 30 minutos. No deje nunca las baterías descargadas durante periodos largos.

Las siguientes instrucciones de carga se refieren sólo a los cargadores suministrados con la máquina. Utilice únicamente cargadores de baterías de las siguientes características para evitar el deterioro de las baterías.

CARACTERÍSTICAS DEL CARGADOR DE BATERÍAS:

- VOLTAJE DE SALIDA - 36 VOLTIOS
- CORRIENTE DE SALIDA - 25 AMPS MAXIMO
- CIRCUITO DE CORTE AUTOMATICO
- PARA CARGA DE BATERÍA DE CICLO PROFUNDO

1. Dirija la máquina a una zona bien ventilada para cargar las baterías.

⚠ ADVERTENCIA: Peligro de incendio o explosión. Las baterías emiten hidrógeno. Mantenga chispas y llamas alejadas de la máquina. Mantenga el compartimento de la batería abierto mientras realiza la operación de carga.

2. Gire todos los conmutadores a la posición OFF y extraiga la llave si está así equipada. Ponga el freno de estacionamiento, si existe.
3. Destrabe y abra la campana de la bolsa de polvo y la campana de la batería para obtener acceso al compartimiento de la batería.
4. Antes de cargar las baterías, compruebe el nivel de electrolito en cada elemento de la batería (Figura 22).



FIG. 22

PARA SU SEGURIDAD: Al revisar la máquina, utilice guantes y gafas de protección cuando manipule las baterías y sus cables. Evite el contacto con el ácido de la batería.

El nivel del electrolito (A) debe cubrir ligeramente los electrodos de la batería (B). Añada agua destilada si es necesario. NO LLENE EN EXCESO, el nivel del líquido puede expandirse y desbordarse al cargar. Coloque de nuevo las tapas de los elementos antes de la operación de carga (Figura 23).

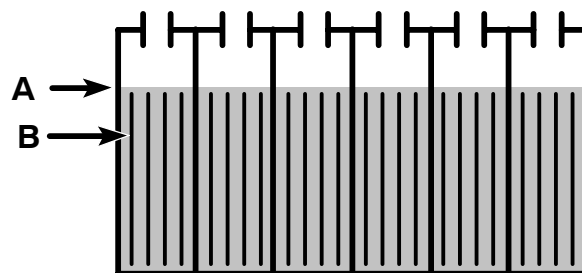


FIG. 23

5. Conecte el cable de alimentación eléctrica de CA del cargador a un enchufe con toma de tierra adecuada (Figura 24).

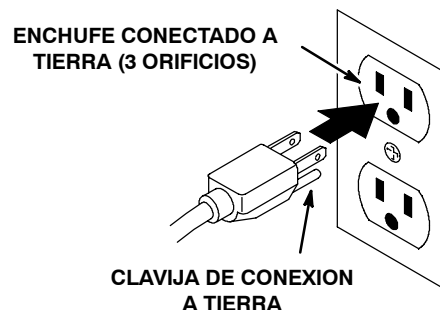


FIG. 24

6. Conecte el cargador de la batería a la máquina como muestra. Abra el apoyo del capó y coloque el capó sobre dicho apoyo para facilitar la ventilación (Figura 25).

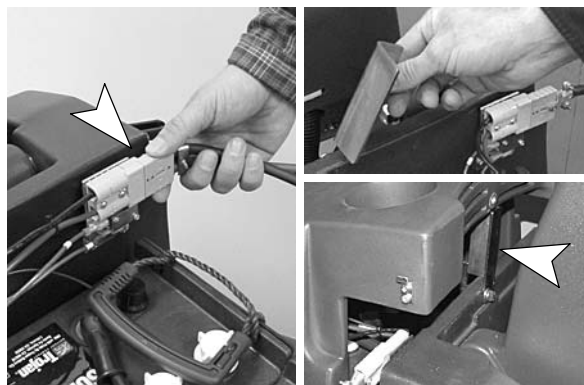


FIG. 25

OPERACIÓN

7. El cargador comenzará la carga automáticamente y se apagará cuando la carga sea completa.

ATENCIÓN: No desenchufe del receptáculo de la máquina el cable de CC del cargador cuando esté en funcionamiento. Pueden producirse arcos voltaicos. Si es necesario interrumpir la carga, desenchufe el cable de alimentación de CA primero.

⚠ ADVERTENCIA: Peligro de incendio o explosión. Las baterías emiten hidrógeno. Mantenga chispas y llamas alejadas de la máquina. Mantenga el compartimento de la batería abierto mientras realiza la operación de carga.

8. Después de realizar la carga, compruebe el nivel del electrolito (A) de nuevo. El nivel debe estar a aproximadamente 1 cm de la parte inferior del orificio de llenado (B) (Figura 26). Añada agua destilada en caso necesario. NO LLENE EN EXCESO.

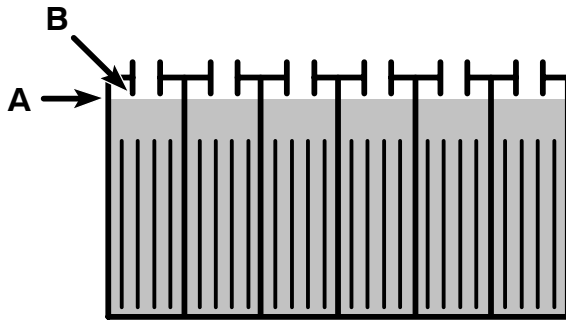


FIG. 26

MANTENIMIENTO DE LA MÁQUINA

Para mantener la máquina en buenas condiciones de funcionamiento bastará realizar las siguientes operaciones de mantenimiento diaria, semanal, mensual o trimestralmente.

⚠ ADVERTENCIA: Peligro choque eléctrico. Desconecte los cables de la batería antes de realizar reparaciones en la máquina.

MANTENIMIENTO DIARIO (Después de cada uso)

1. Extraiga la almohadilla pulidora y limpie o reemplace (Figura 27).



FIG. 27

2. Vacíe o reemplace la bolsa de control de polvo. Extraiga el broche de la bolsa para vaciar la misma (Figura 28). No permita que la bolsa se llene más de la mitad.

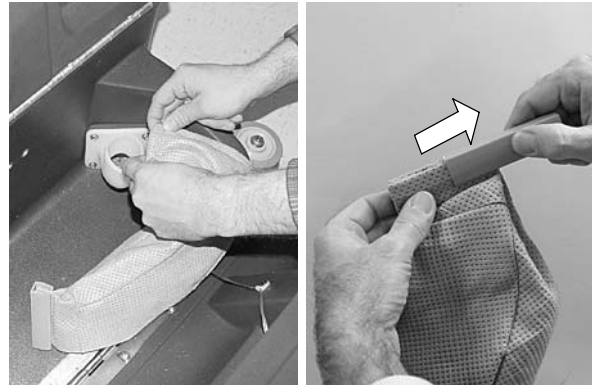


FIG. 28

3. Limpie la máquina con un limpiador general y con un paño húmedo (Figura 29).

PARA SU SEGURIDAD: Cuando limpie la máquina, no moje la máquina rociándola o utilizando una manguera. Pueden producirse fallos eléctricos.



FIG. 29

4. Recargue las baterías después de haberlas utilizado durante un tiempo mínimo de 30 minutos (Consulte CARGA DE LAS BATERÍAS).

MANTENIMIENTO SEMANAL (Cada 20 horas de uso)

Use una manguera de presión neumática para limpiar el polvo que se acumula dentro del motor accionador de la plancha. Este procedimiento prolongará la vida útil del motor. **Se necesitan gafas protectoras** (Figura 30).



FIG. 30

MANTENIMIENTO MENSUAL (Cada 80 horas de uso)

1. Inspeccione el nivel de líquido en cada celda de la batería (Consulte MANTENIMIENTO DE LA BATERÍA).
2. Limpie la corrosión de los toques de las baterías (Consulte MANTENIMIENTO DE LA BATERÍA).
3. Inspeccione por cables flojos o corroídos de la batería.
4. Lubrique la rueda manual con una grasa resistente al agua.
5. Inspeccione la máquina por tuercas y pernos flojos.
6. Inspeccione la condición del faldón para polvo, reeemplace si está gastado (Figura 31).

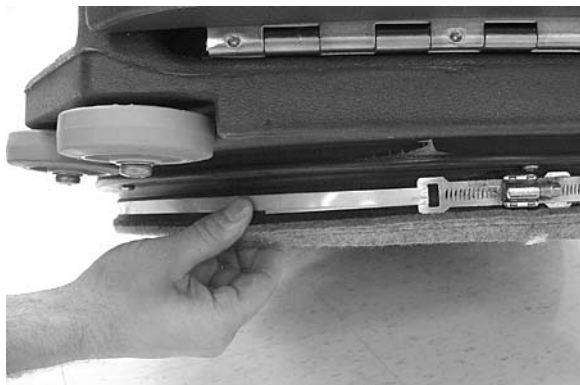


FIG. 31

MANTENIMIENTO TRIMESTRAL (Cada 250 horas de uso)

Inspeccione el motor propulsor del eje transversal, los motores de aspiración y los motores de los cepillos, por desgaste de las escobillas de carbón. Reemplace las escobillas cuando estén desgastadas a un largo de 10 mm (0.38 pulg) o menos (Figura 32).

Póngase en contacto con un Centro de Servicio autorizado para reparar las reparaciones necesarias.

PARA SEGURIDAD: Todas las reparaciones deben ser realizadas por una persona de servicio calificada.

⚠ ADVERTENCIA: Peligro choque eléctrico. Desconecte los cables de la batería antes de realizar reparaciones en la máquina.

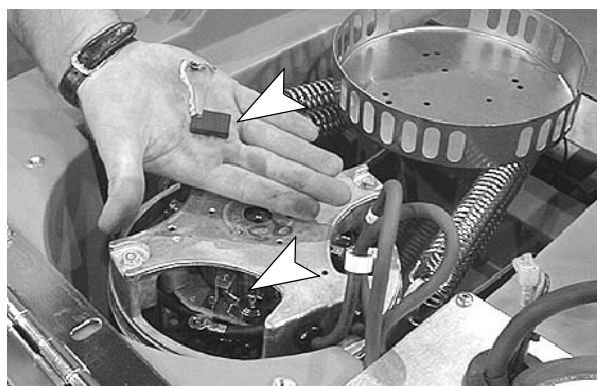


FIG. 32

OPERACIÓN

MANTENIMIENTO DE LA BATERÍA

⚠ ADVERTENCIA: Peligro de incendio o explosión. Las baterías emiten hidrógeno. Mantenga chispas y llamas alejadas de la máquina. Mantenga el compartimento de la batería abierto mientras realiza la operación de carga.

PARA SU SEGURIDAD: Al revisar la máquina, utilice guantes y gafas de protección cuando manipule las baterías y sus cables. Evite el contacto con el ácido de la batería.

1. Compruebe la densidad específica utilizando un densímetro para determinar el nivel de carga y el estado de las baterías (Figura 33). Si el valor de uno o más elementos de la batería es inferior al de los otros elementos de la batería (0,050 ó más), este elemento está deteriorado, en cortocircuito o a punto de fallar. Compare los valores obtenidos con el densímetro con los del siguiente esquema para determinar el nivel de carga que queda en la batería.

NOTA: No tome medidas inmediatamente después de añadir agua destilada. Si el agua y el ácido no están bien mezclados, es posible que el valor medido puede no sea correcto.



FIG. 33

DENSIDAD ESPECÍFICA a 27°C (80°F)	CARGA DE LA BATERÍA
1,265	100% DE CARGA
1,223	75% DE CARGA
1,185	50% DE CARGA
1,148	25% DE CARGA
1,110	DESCARGADA

NOTA: Si la temperatura del electrolito de la batería a la que se miden los valores no es de 27°C (80°F), deberá corregir el valor dependiendo de la temperatura. Sume o reste 0,004, 4 puntos, al valor de la densidad específica por cada 6°C (43°F) de diferencia por encima o debajo de 27°C (80°F).

2. Siga siempre las instrucciones de la operación de carga (consulte CARGA DE LAS BATERÍAS).
3. Controle el nivel de electrolito (A) en todos los elementos de las baterías después de realizar la operación de carga. El nivel debe estar a aproximadamente 1 cm de la parte inferior del orificio de llenado (B). Añada agua destilada en caso necesario (Figura 34). NO LLENE EN EXCESO.

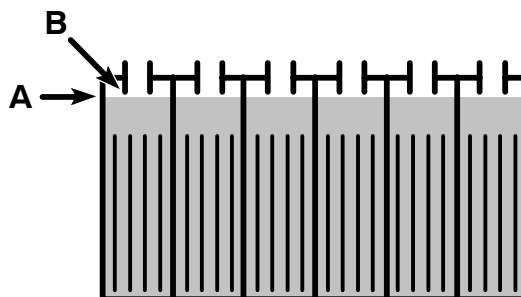


FIG. 34

4. Mantenga limpias las partes superiores de las baterías para evitar la corrosión.
Limpieza de las baterías:

PARA SU SEGURIDAD: Al revisar la máquina, utilice guantes y gafas de protección cuando manipule las baterías y sus cables. Evite el contacto con el ácido de la batería.

- a. Haga una solución concentrada de bicarbonato y agua (Figura 35).



FIG. 35

- b. Rocíe ligeramente las partes superiores de las baterías y conectores de cables con la disolución.

NOTA: No permita que la solución de bicarbonato se introduzca en los elementos de las baterías.

- c. Utilice un cepillo de cerdas metálicas para limpiar los bornes y conectores de cables.
 - d. Después de la limpieza, aplique una capa de protector transparente de bornes de baterías a los bornes y conectores de cables.
5. Controle si existen cables gastados o sueltos. Sustitúyalos si están gastados.

TRANSPORTE DE LA MÁQUINA

Al transportar la máquina por remolque o camión, asegúrese de seguir los procedimientos de amarre de abajo:

ATENCIÓN: Para prevenir daños al faldón contra polvo, incline la máquina hacia atrás sobre sus ruedas posteriores al cargar o descargar.

1. Cargue la máquina usando una rampa recomendada de carga.

NOTA: Al levantar la máquina, usted debe extraer las baterías.

PARA SU SEGURIDAD: Al transportar la máquina, no la levante si las baterías están instaladas. Pida ayuda para levantar la máquina.

2. Coloque en posición la parte delantera de la máquina contra la parte delantera del remolque o de la caja del camión.
3. Coloque bloques detrás de las ruedas principales.
4. Coloque las bandas de amarre sobre el tope de la máquina y asegure las bandas al piso. Puede ser necesario instalar ménsulas de amarre al piso de su remolque o camión.

NOTA: No use empuñaduras de control para asegurar la máquina, para transportar.

PARA SU SEGURIDAD: Al transportar la máquina, utilice una rampa para cargarla/descargarla en/de un camión o remolque, utilice las cintas de sujeción para fijar la máquina al camión o remolque.

ATENCIÓN: No transporte la máquina inclinada hacia atrás ya que puede perder ácido de la batería.

ALMACENAMIENTO DE LA MÁQUINA

Almacene la máquina en un área seca en posición vertical.

ATENCIÓN: No almacene la máquina inclinada hacia atrás ya que puede perder ácido de la batería.

ATENCIÓN: No exponga a la lluvia. Almacene bajo techo.

STOCK RECOMENDADO DE REPUESTOS

Para los artículos recomendados de stock refiérase a la sección de la Lista de Piezas en este manual para los artículos recomendados de stock. Los artículos de stock están claramente identificados con una bala precediendo a la descripción de las piezas. Vea el ejemplo de abajo:

Ref.	Part No.	Description	Qty.
1	701103	ASM.,STANDPIPE	1
2	190619	●FLOAT, SHUTOFF	1
3	230197	NIPPLE	1
4	101714	●GASKET	1
5	210240	NUT, FLANGED	1

OPERACIÓN

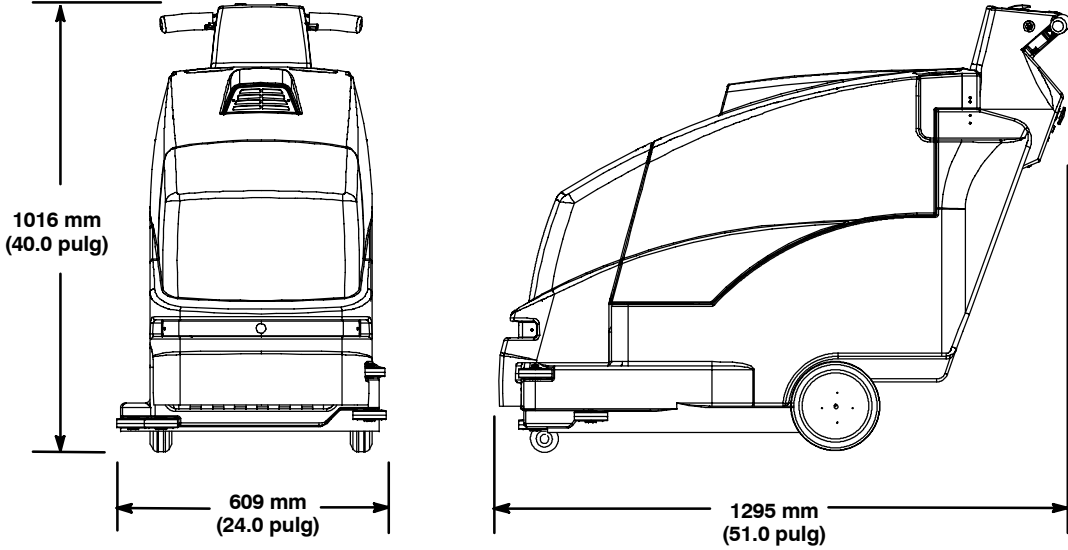
LOCALIZACIÓN DE FALLAS

PROBLEMA	CAUSA	SOLUCIÓN
Sin electricidad.	Conmutador defectuoso de electricidad principal.	Consulte con el Centro de Servicio.
	Conmutador de llave defectuoso, si así equipado.	Consulte con el Centro de Servicio.
	Batería(s) defectuosa.	Reemplace la batería(s).
	Cable flojo de la batería.	Ajuste los cables flojos.
	Conexión inapropiada del cable de la batería.	Consulte INSTALACIÓN DE LAS BATERÍAS.
	Interruptor de circuito de electricidad principal activado.	Determine la causa y regadúe el interruptor.
	El cargador está conectado.	Desconecte el cargador de la batería.
	El botón de paro de emergencia se activa, si así equipada.	Gire el botón para regraduar.
El motor de la almohadilla no opera.	Conmutador(es) de gatillo defectuoso.	Consulte con el Centro de Servicio.
	Interruptor de circuito del motor de la almohadilla activado.	Reemplace la almohadilla/ajuste la presión y regadúe el interruptor. O reemplace el fusible 2A.
	Fusible quemado (2A).	Reemplace el fusible 2A.
	Contactador defectuoso.	Consulte con el Centro de Servicio.
	Cableado defectuoso.	Consulte con el Centro de Servicio.
	Motor impulsor de la almohadilla defectuoso.	Consulte con el Centro de Servicio.
	Escobillas de carbón gastadas	Consulte con el Centro de Servicio.
	La máquina está inclinada hacia atrás sobre las ruedas posteriores.	Enderece la máquina de la posición inclinada.
	Conmutador de corte de inclinación defectuoso cerca de las ruedas posteriores.	Consulte con el Centro de Servicio.
El motor impulsor no opera u opera incorrectamente (Modelo impulsor).	Conmutador(es) de gatillo defectuoso.	Consulte con el Centro de Servicio.
	Tablero o conexión de control de velocidad defectuoso.	Consulte con el Centro de Servicio.
	Solenoide defectuoso.	Consulte con el Centro de Servicio.
	Motor impulsor defectuoso.	Consulte con el Centro de Servicio.
	Cableado defectuoso.	Consulte con el Centro de Servicio.
	Escobillas de carbón gastadas.	Consulte con el Centro de Servicio.
	Potenciómetro o tablero de control de velocidad defectuosos.	Consulte con el Centro de Servicio.
	Conexión floja de cable.	Consulte con el Centro de Servicio.
Tiempo limitado de funcionamiento.	Carga baja de la batería.	Cargue las baterías.
	Celda(s) defectuosa de la batería.	Reemplace la batería.
	Las baterías requieren mantenimiento.	Consulte MANTENIMIENTO DE LA BATERÍA.
	Cargador de batería defectuoso.	Reemplace el cargador.

ESPECIFICACIONES

Modelo	SpeedGleam (Modelo de empuje)	SpeedGleam Plus (Modelo impulsor)
LARGO	1295 mm (51 pulg)	1295 mm (51 pulg)
ANCHO	609 mm (24 pulg)	609 mm (24 pulg)
ALTO	1016 mm (40 pulg)	1016 mm (40 pulg)
PESO CON BATERÍAS	240 Kg (529 lb)	246 Kg (544 lb)
SISTEMA IMPULSOR	N/A (Asistido por almohadilla)	.2 hp Transaxle
VELOCIDAD DE IMPULSION	N/A	Variable 0-73 m (0-240 pies) por min.
ANCHO DE LA ALMOHADILLA	508 mm (20 pulg)	508 mm (20 pulg)
MOTOR DE LA ALMOHADILLA	36V, 3hp, 2000 rpm, 80A, 2238W	36V, 3hp, 2000 rpm, 80A, 2238W
PRESION DE LA ALMOHADILLA	Variable 7-19 kg (15-40 lb)	Variable 7-19 kg (15-40 lb)
BOLSA DE CONTROL DE POLVO	Tela - 98% a 1.0 micron	Bolsa de tela - 98% a 1.0 micrón
BATERÍAS	3-215 amp/hora, 12v ciclo profundo	3-215 amp/hora, 12v ciclo profundo
TIEMPO DE FUNCIONAMIENTO, CONTINUO	Hasta 2.4 horas	Hasta 2.2 horas
CLASIFICACION NOMINAL DE DECIBELES EN EL OIDO DEL OPERADOR, BAJO TECHO SOBRE BALDOSAS	70dB(A)	70dB(A)

DIMENSIONES DE LA MÁQUINA



Ce manuel est fourni avec chaque nouveau modèle. Il fournit les instructions nécessaires au fonctionnement et à l'entretien.

Lisez complètement ce manuel et familiarisez-vous avec la machine avant de l'utiliser ou de l'entretenir.

Une liste complète de pièces détachées avec illustrations accompagne également chaque nouveau modèle. Utilisez la liste de pièces détachées pour commander des pièces de rechange. Avant de commander des pièces ou des fournitures, soyez sûr d'avoir avec vous le numéro de modèle de la machine et le numéro de série. Les pièces et les fournitures se commandent par téléphone ou par courrier auprès de tout centre de dépannage agréé, de tout distributeur ou de l'une des filiales du fabricant.

Cette machine vous fournira d'excellents services. Toutefois, vous obtiendrez les meilleurs résultats pour un prix de revient minimum si:

- La machine est manipulée avec un certain soin.
- La machine fait l'objet d'un entretien régulier conformément aux instructions d'entretien de ce manuel.
- L'entretien de la machine est effectué avec des pièces fournies par le fabricant ou des pièces équivalentes.

DONNÉES DE LA MACHINE

A remplir au moment de l'installation à titre de référence.

Modèle n° _____

Date d'installation - _____

N° série - _____



PROTECTION DE L'ENVIRONNEMENT

Veillez éliminer les matériaux d'emballage, les composants d'anciennes machines comme les batteries, les fluides dangereux tels que l'antigel ou l'huile, d'une manière sûre au point de vue environnemental, suivant la réglementation locale en vigueur en matière d'élimination des déchets.

N'oubliez pas de toujours recycler.



TABLE DES MATIÈRES

MESURES DE SÉCURITÉ	41	TRANSPORT DE LA MACHINE	56
ÉTIQUETTES DE MISE EN GARDE	43	ENTREPOSAGE DE LA MACHINE	56
MACHINE COMPONENTS	44	ELÉMENTS DE STOCK RECOMMANDÉS	56
SYMBOLES DU PANNEAU DE COMMANDE ..	44	DEPISTAGE DES PANNES	57
INSTALLATION DE LA MACHINE	45	CARACTERISTIQUES TECHNIQUES	58
DEBALLAGE DE LA MACHINE	45	DIMENSIONS DE LA MACHINE	59
MISE EN PLACE DES BATTERIES	45	SYSTÈM ÉLECTRIQUE	60
MISE EN SERVICE DE LA MACHINE	46	LISTE DES PIÈCES	64
MISE EN PLACE DU PATIN	46	GROUPE PRINCIPAL DE COMPARTIMENT	64
MISE EN PLACE DU SAC A POUSSIÈRE ..	47	GROUPE SAC À POUSSIÈRE ET COUVERCLE	
REGLAGE DE LA HAUTEUR DES POIGNEES		DU COMPARTIMENT À BATTERIES	66
DE COMMANDE	47	GROUPE DE BATTERIE ET DE	
UTILISATION DE LA MACHINE	48	CHARGEUR	67
OPERATIONS PRELIMINAIRES	48	GROUPE ENTRAINEMENT DU PATIN	68
POLISSAGE AVEC LA MODÈLE		GROUPE D'ENTRAINEMENT	
NON TRACTÉ	48	(MODÈLE TRACTÉ)	70
POLISSAGE AVEC LA MODÈLE TRACTÉ ..	49	GROUPE ROUE (MODÈLE NON TRACTÉ) .	72
PENDANT LE FONCTIONNEMENT DE LA		TABLEAU DE COMMANDE	
MACHINE	50	(MODÈLE TRACTÉ)	74
COUPE-CIRCUIT	50	GROUPE TABLEAU DE COMMANDE	
BOUTON D'ARRÊT D'URGENCE		(MODÈLE NON TRACTÉ)	76
(MODÈLE TRACTÉ - OPTION)	51	ÉQUIPEMENT AU CHOIX	78
COMPTEUR HORAIRE (OPTION)	51	COMPTEUR HORAIRE LOT	78
INDICATEUR D'ARRÊT DE PATIN À BASSE		ARRÊTS D'URGENCE	78
TENSION (MODÈLE TRACTÉ - OPTION) .	51	KITS DE KEYSWITCH	78
CHARGING BATTERIES	51	LOT FEU A ECLATS	79
ENTRETIEN DE LA MACHINE	53	KIT DE FREIN DE PARCAGE	80
ENTRETIEN QUOTIDIEN	53		
ENTRETIEN HEBDOMADAIRE	54		
ENTRETIEN MENSUEL	54		
ENTRETIEN TRIMESTRIEL	54		
ENTRETIEN DES BATTERIES	54		

MESURES DE SÉCURITÉ

Cette machine est conçue pour un usage commercial. Elle est destinée exclusivement au polissage des sols intérieurs à surface dure et ne convient pas à un quelconque autre usage. Utilisez uniquement des patins de polissage et des produits nettoyants et cires pour sols disponibles dans le commerce, prévus pour l'application de la machine.

Tous les opérateurs sont tenus de lire et comprendre les consignes de sécurité suivantes et de se familiariser avec celles-ci.

Le symbole de mise en garde suivant et l'en-tête « POUR VOTRE SECURITE » sont utilisés tout au long de ce manuel comme indiqué dans leur description:

⚠ MISE EN GARDE: identifie la présence de dangers ou les opérations dangereuses susceptibles de blesser grièvement ou de provoquer la mort.

POUR VOTRE SECURITÉ: identifie les instructions qui doivent être suivies afin de garantir la sécurité lors de l'utilisation de l'équipement.

Le fait de ne pas respecter ces avertissements peut entraîner des blessures, un choc électrique, un incendie ou une explosion.

⚠ MISE EN GARDE: danger d'incendie ou d'explosion :

- N'utilisez jamais de liquides inflammables ou n'utilisez pas la machine dans ou près de liquides ou vapeurs inflammables ou de poussières combustibles.

Cette machine n'est pas équipée de moteurs protégés contre les explosions. Les moteurs électriques émettent des étincelles au moment du démarrage et pendant leur fonctionnement, ce qui peut entraîner un incendie instantané ou une explosion si la machine est utilisée dans une zone où des vapeurs/liquides inflammables ou des poussières combustibles, sont présents.

- Ne ramassez pas de matériaux inflammables ou de métaux réactifs.
- Les batteries émettent du gaz hydrogène. Evitez toute étincelle et toute flamme nue à proximité des batteries. Laissez ouvert le compartiment des batteries pendant la mise en charge.

⚠ MISE EN GARDE : danger de choc électrique. Débranchez les câbles de la batterie avant l'entretien ou la réparation de la machine.

⚠ MISE EN GARDE : brosse en rotation. Eloignez vos mains. Coupez le contact avant de travailler sur la machine.

Les signaux d'information ci-après indiquent les situations potentiellement dangereuses pour l'opérateur ou l'équipement:

POUR VOTRE SECURITÉ:

1. N'utilisez pas la machine:
 - avec des liquides inflammables ou près de vapeurs inflammables, afin d'éviter le risque d'explosion ou d'incendie instantané.
 - Si vous n'y êtes pas formé et autorisé.
 - Avant d'avoir lu et compris le manuel opérateur.
 - Si elle n'est pas en bon état de marche.
 - Sans sac de poussière en place.
2. Avant d'utiliser la machine:
 - Assurez-vous que tous les dispositifs de sécurité se trouvent à leur place et fonctionnent correctement.
3. Lors de l'utilisation de la machine:
 - Roulez lentement sur les pentes et sur les surfaces glissantes.
 - Portez des chaussures antidérapantes.
 - Modèle à propulsion - Soyez prudent lorsque vous utilisez la machine en marche arrière.
 - Réduisez la vitesse dans les tournants.
 - Eloignez-vous d'un patin en cours de rotation.
 - Signalez immédiatement tout dommage occasionné à la machine ou tout mauvais fonctionnement.
 - Empêchez les enfants de jouer à proximité de la machine.
4. Avant de quitter ou d'entretenir la machine:
 - Arrêtez la machine sur une surface horizontale.
 - Coupez le contact de la machine.
 - Engagez le frein parking, si la machine est équipée de cette option.

5. Lors de l'entretien de la machine:

- Évitez les pièces mobiles. Ne portez pas de veste ou de chemise large ou de manches amples.
- Déconnectez les cosses des batteries avant de travailler sur la machine.
- Portez des gants et des lunettes de protection lorsque vous maniez les batteries ou les câbles de batteries.
- Évitez tout contact avec l'acide des batteries.
- Pneus de machine de bloc avant de mettre sur cric vers le haut.
- Utilisez un levier ou cric pouvant supporter le poids de la machine.
- N'utilisez pas de jet de pression sur la machine. Un dysfonctionnement électrique risque de se produire.
- Utilisez des pièces de rechanges fournies ou agréées par le fabricant.
- Toutes les réparations doivent être effectuées uniquement par un technicien qualifié.
- Ne modifiez pas le design d'origine de la machine.

6. Lors du transport de la machine:

- Coupez le contact de la machine.
- Ne soulevez pas la machine lorsque les batteries sont installées.
- Demandez de l'aide pour soulever la machine.
- Lorsque vous chargez la machine sur le camion ou la remorque ou lorsque vous la déchargez, utilisez une rampe recommandée.
- Utilisez des sangles pour arrimer la machine sur le camion ou la remorque.
- Engagez le frein parking, si la machine est équipée de cette option.

ÉTIQUETTES DE MISE EN GARDE

Les étiquettes de mise en garde se trouvent sur la machine aux endroits indiqués. Remplacez les étiquettes lorsqu'elles sont endommagées ou qu'elles deviennent illisibles.

ÉTIQUETTE MISE EN GARDE - SITUÉE AU-DESSUS DE LA MACHINE.



ÉTIQUETTE CHARGE DE BATTERIE - SITUÉ DANS LE COMPARTIMENT DE BATTERIE.

⚠ MISE EN GARDE : danger d'incendie ou d'explosion. Les batteries émettent du gaz hydrogène. Évitez toute étincelle et toute flamme nue à proximité des batteries. Laissez ouvert le compartiment des batteries pendant la mise en charge.

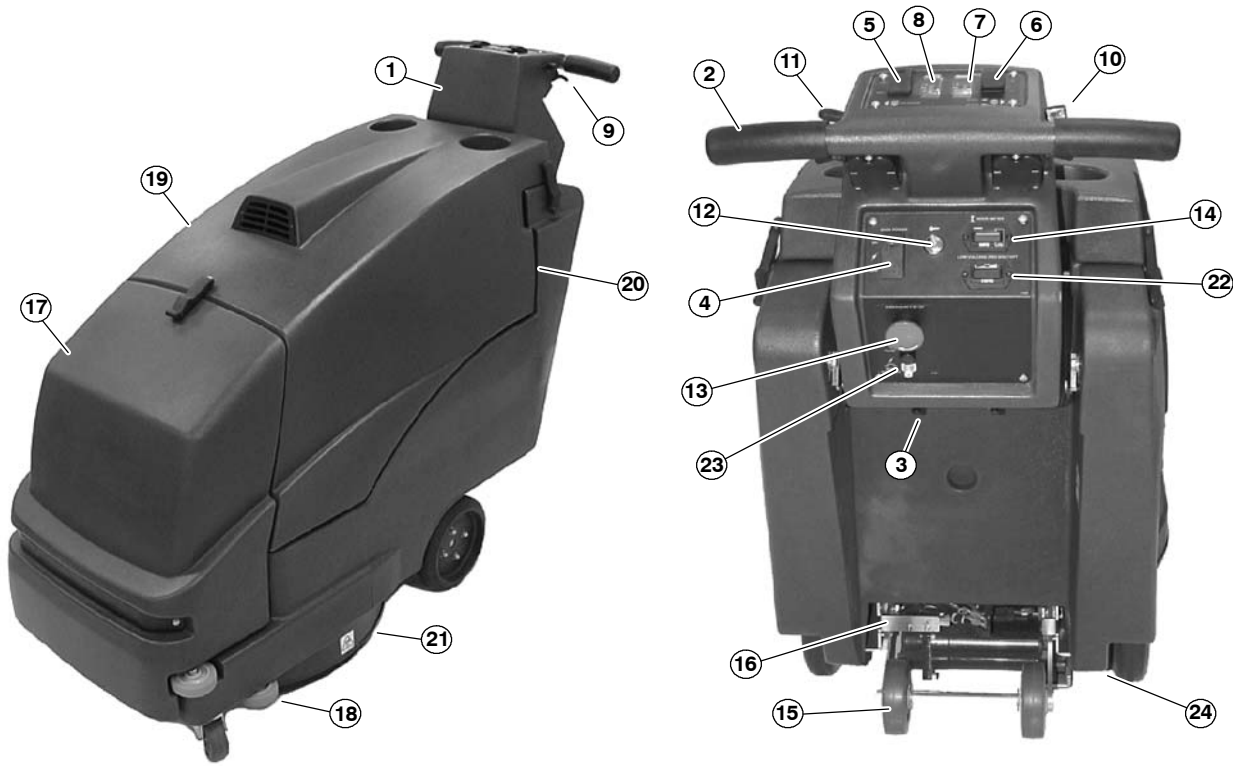


ÉTIQUETTE BROSSE EN ROTATION - SITUÉE SUR LA TÊTE DE BROSSAGE

⚠ MISE EN GARDE : brosse en rotation. Éloignez vos mains. Coupez le contact avant de travailler sur la machine.



MACHINE COMPONENTS



- | | |
|--|---|
| <ol style="list-style-type: none"> 1. Panneau de commande réglable 2. Poignées de commande 3. Leviers de réglage de la hauteur du panneau de commande 4. Bouton principal arrêt-marche (Modèle tracté) 5. Main Power ON/OFF Switch (Modèle non tracté)/ Bouton de marche-arrêt du patin (Modèle tracté) 6. Bouton de réglage de la pression du patin 7. Appareil de mesure de la pression du patin 8. Appareil de mesure du niveau de charge des batteries 9. Déclencheurs de démarrage de patin/propulsion 10. Bouton de commande de la vitesse (Modèle tracté) 11. Gâchette de marche en arrière (Modèle tracté) 12. Contact à clé principal Marche/Arrêt (Option) | <ol style="list-style-type: none"> 13. Bouton d'arrêt d'urgence (Option - Modèle tracté) 14. Compteur horaire (Option) 15. Roues de basculement sur l'arrière - pour la mise en place du patin. 16. Bouton de coupure automatique 17. Compartiment du sac à poussière 18. Roulettes de mur 19. Couvercle du compartiment à batteries 20. Prise de charge des batteries 21. Jupe antipoussière 22. Indicateur d'interrupteur basse tension (Option) 23. Coupe-circuit de l'alimentation principale 24. Frein de parcage (Option - Modèle tracté) |
|--|---|

SYMBOLES DU PANNEAU DE COMMANDE



INSTALLATION DE LA MACHINE

DEBALLAGE DE LA MACHINE

Vérifiez soigneusement si le carton ne présente pas de dommages. Signalez immédiatement tout dommage au transporteur.

Vérifiez le contenu du carton pour vous assurer que la livraison est complète. Contactez le distributeur pour tout élément manquant.

Contenu du carton :

- 2 - Câbles de batterie #611116000
- 6 - manchons de batteries noirs #611221
- 1 - Chariot de batterie #604298
- 1 - Sac à poussière, tissu (Installé) #900210.
- 1 - Sac à poussière, papier #611781 - Paquet de 10
- 1 - Patin de polissage poils mixtes 50 cm (installé) #611788 - Carton de 5.
- 3 - Batteries de 12 V 215 AH #600394 (accompagnent uniquement la machine PAC #607599 et 607596).
- 1 - Chargeur de batterie, 36 CC/25 A, 120 V #469760868 (accompagne toutes les machines PAC).

Pour déballer la machine, enlevez les sangles et soulevez-la avec précaution ou utilisez une rampe pour retirer la machine de la palette.

ATTENTION: Mettez les batteries en place après avoir retiré la machine de la palette.

POUR VOTRE SECURITE: Lors du transport de la machine, ne la soulevez pas quand les batteries sont installées.

ATTENTION: Vous devez retirer la ligature en fil métallique avant d'utiliser la machine.



MISE EN PLACE DES BATTERIES

⚠ WARNING: Fire Or Explosion Hazard. Batteries Emit Hydrogen Gas. Keep Sparks And Open Flame Away. Keep Battery Compartment Open When Charging.

POUR VOTRE SECURITE: Quand vous entretenez la machine, portez des gants de protection quand vous maniez les batteries ou les câbles de batteries. Evitez tout contact avec l'acide des batteries.

Spécifications des batteries recommandées:

Deux batteries de 12 volts à cycle intensif. Consultez votre distributeur agréé pour obtenir les batteries spécifiques. Les dimensions maximum des batteries sont 178 mm (7 in) (l) x 394 mm (15.5 in) (L) x 362mm (14.25 in) (h).

1. Garez la machine sur une surface horizontale.
2. Placez le commutateur principal en position OFF et enlevez la clé, si la machine en est équipée.
3. Ouvrez les systèmes de verrouillage du couvercle du compartiment à batteries et ouvrez le compartiment à batteries.

Enlevez les câbles des batteries non attachés (Figure 1).



FIG. 1

- Placez avec précaution les batteries dans le plateau des batteries et connectez les bornes des batteries comme illustré. Une fois que les batteries sont en place, enlevez les poignées des batteries pour dégager le chemin du couvercle du compartiment à batteries (Figure 2).



AVANT DE LA MACHINE

FIG. 2

ATTENTION: Ne laissez pas tomber les batteries dans le compartiment. Ceci risque d'endommager les batteries et le châssis de la machine.

- Avant de connecter les câbles de batterie, veillez à ce que les bornes et les cosses soient propres. Si nécessaire, utilisez un nettoyant pour cosses et une brosse métallique.

REMARQUE : appliquez une mince couche de graisse non métallique ou pulvérisez un produit de protection sur les connexions de câbles, afin d'empêcher la corrosion des batteries.

- Branchez les câbles aux bornes de batteries de la manière illustrée. (FIL ROUGE A LA BORNE POSITIVE ET FIL NOIR A LA BORNE NEGATIVE) (Figure 3).

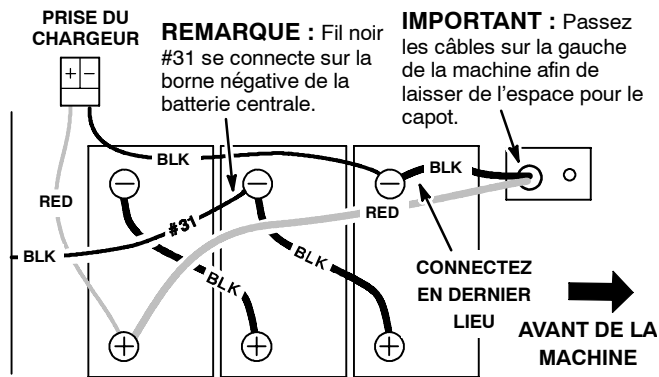


FIG. 3

- Revérifiez les raccordements des câbles, refermez le couvercle et fermez les systèmes de verrouillage du couvercle.

MISE EN SERVICE DE LA MACHINE

MISE EN PLACE DU PATIN

REMARQUE: Consultez votre distributeur agréé pour toute recommandation en matière de patin.

Spécifications du patin:

- Pour polir à 2000 tours/minute
- Epaisseur 25,4 mm (1.0 in)
- Diamètre 508 mm (20 in) avec trou central de 89 mm (3.5 in)

REMARQUE: La machine n'est pas conçue pour polir par pulvérisation.

- Coupez le contact de la machine et inclinez-la en prenant appui sur les roues arrière (Figure 4).

POUR VOTRE SECURITE: Avant de quitter ou d'entretenir la machine, arrêtez-la sur une surface horizontale, coupez le contact et engagez le frein parking, si la machine en est équipée.

REMARQUE: Quand la machine est complètement inclinée, le moteur du patin se coupe automatiquement.



FIG. 4

ATTENTION: Ne laissez pas la machine inclinée pendant une période prolongée, car l'acide des batteries risque de couler.

- Appuyez sur les déclencheurs pour démarrer la rotation du patin. Le patin touchera automatiquement le sol (Figure 5).

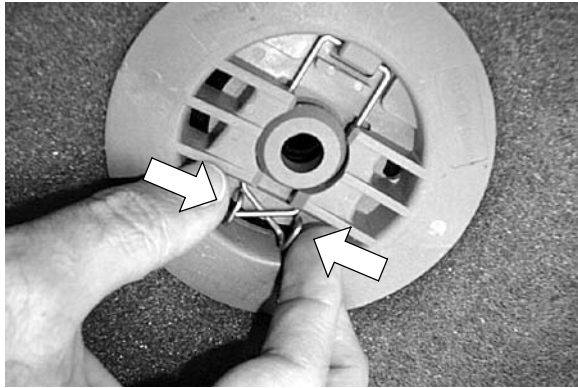


FIG. 5

- Centrez le système de blocage sur le système d'entraînement du patin et fixez-le fermement (Figure 6).

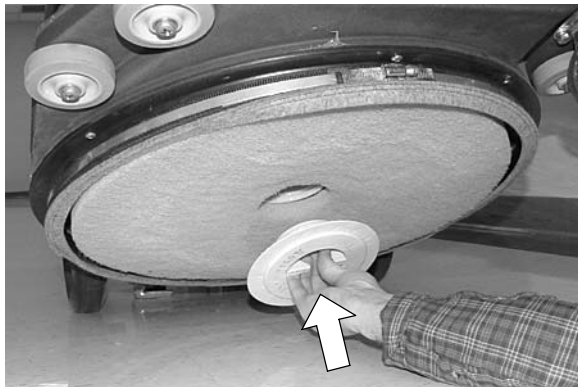


FIG. 6

ATTENTION: N'utilisez pas la machine si le patin et/ou le système de blocage central n'est pas en place.

- Après avoir installé le patin, remettez la machine en position de fonctionnement.

MISE EN PLACE DU SAC A POUSSIERE

- Ouvrez le compartiment du sac à poussière à l'avant de la machine.

- Faites glisser le sac sur la pièce en plastique. Refermez le compartiment (Figure 7).



FIG. 7

- Videz ou remplacez le sac tous les jours. Ne laissez pas le sac se remplir au-delà de la moitié de la capacité.

REGLAGE DE LA HAUTEUR DES POIGNEES DE COMMANDE

La machine comporte trois réglages de la hauteur des poignées de commande.

- Repérez les deux leviers chargés par ressort sous le panneau de commande (Figure 8).
- Pressez les leviers l'un contre l'autre et relevez ou abaissez les poignées de commande de façon à obtenir une hauteur d'utilisation confortable (Figure 8).

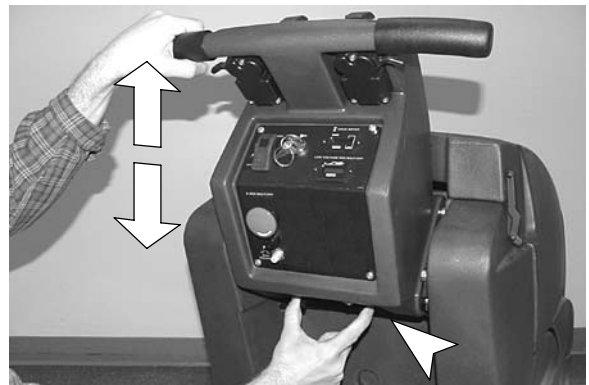


FIG. 8

UTILISATION DE LA MACHINE

POUR VOTRE SECURITE: N'utilisez la machine qu'après avoir lu et compris le manuel opérateur.

⚠ MISE EN GARDE : N'utilisez pas de liquides inflammables ou n'utilisez pas la machine dans ou près de liquides ou vapeurs inflammables ou poussières combustibles.

OPERATIONS PRELIMINAIRES

1. Balayez le sol et enlevez les débris.
2. Contrôlez l'état du patin.
3. Contrôlez le niveau de charge des batteries. (*La brosse doit pivoter pour garantir une mesure correcte*). Les batteries auront besoin se recharger si le mètre de batterie indique dedans la zone jaune ou rouge.
4. Contrôlez si le sac à poussière est en place.
5. Assurez-vous que le sol est sec.

POLISSAGE AVEC LA MODÈLE NON TRACTÉ

1. Tournez la clé en position ON, si la machine en est équipée, puis activez le commutateur central d'alimentation (Figure 9).

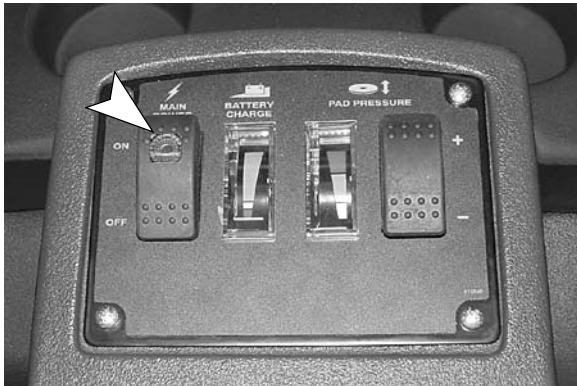


FIG. 9

2. Tournez les poignées de commande vers l'avant pour abaisser le patin contre le sol et faire démarrer le moteur du patin (Figure 10).

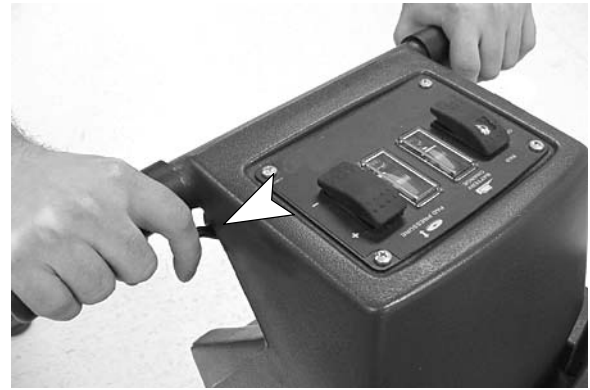


FIG. 10

3. Poussez lentement la machine vers l'avant pour commencer le polissage.

POUR VOTRE SECURITE: Lors de l'utilisation de la machine, roulez lentement sur les pentes et sur les surfaces glissantes.

4. Réglez l'appareil de mesure de la pression du patin dans la zone verte. Appuyez sur le bouton de réglage de la pression du patin pour réduire ou augmenter la pression. Pour obtenir un résultat optimal, réglez l'aiguille de la manière illustrée (Figure 11).

ATTENTION: N'utilisez pas la machine dans la zone rouge ; ceci risque d'endommager le sol et de surcharger le moteur de la brosse.

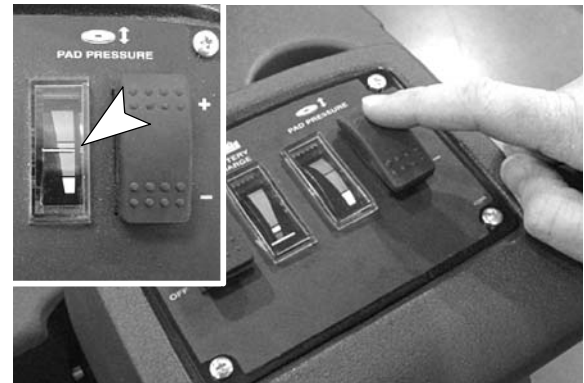


FIG. 11

REMARQUE: Si la machine vibre, rectifiez l'alignement du patin.

ATTENTION: Déplacez constamment la machine pour éviter d'endommager le sol.

5. Pour arrêter la machine, relâchez les poignées. Le patin se relève automatiquement et se met en position de transport.

POUR VOTRE SECURITÉ : Lors du transport de la machine, ne la soulevez pas quand les batteries sont installées.

POLISSAGE AVEC LA MODÈLE TRACTÉ

1. Tournez la clé en position ON, si la machine en est équipée, puis activez le commutateur principal d'alimentation et le commutateur de patin (Figure 12).



FIG. 12

2. Placez le bouton de commande de la vitesse sur la position inférieure. Ceci permet d'éviter un démarrage violent (Figure 13).



FIG. 13

3. Appuyez sur les déclencheurs pour commencer le polissage. La machine commence à se déplacer lentement vers l'avant, le patin touche automatiquement le sol et il commence à tourner. Pour augmenter la vitesse, tournez graduellement le bouton de commande de la vitesse pour atteindre la vitesse souhaitée (Figure 14).



FIG. 14

POUR VOTRE SECURITE: Lors de l'utilisation de la machine, roulez lentement sur les pentes et sur les surfaces glissantes.

4. Réglez l'appareil de mesure de la pression du patin dans la zone verte. Appuyez sur le bouton de réglage de la pression du patin pour réduire ou augmenter la pression. Pour obtenir un résultat optimal, réglez l'aiguille de la manière illustrée. (Figure 15).

ATTENTION: N'utilisez pas la machine dans la zone rouge ; ceci risque d'endommager le sol et de surcharger le moteur de la brosse.

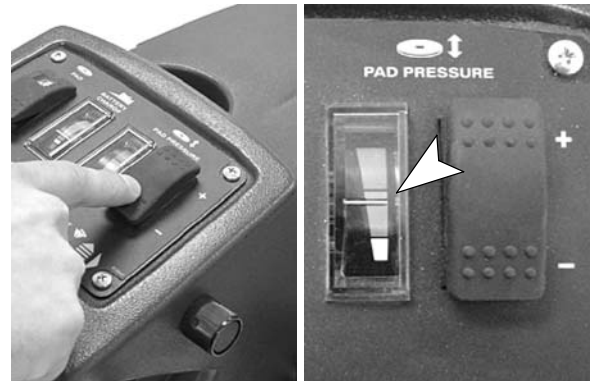


FIG. 15

REMARQUE: Si la machine vibre, réalignez la patin.

ATTENTION: Déplacez constamment la machine pour éviter d'endommager le sol.

5. Pour utiliser la machine en marche arrière, relâchez les poignées et tirez sur la gâchette de marche arrière (vitesse unique) (Figure 16).



FIG. 16

6. Pour arrêter la machine, relâchez les déclencheurs. Le patin se relève automatiquement et se met en position de transport.
7. Pour transporter la machine, désactivez le bouton du patin et tournez les poignées de commande. Le patin se relève automatiquement et se met en position de transport.

POUR VOTRE SECURITÉ : Lors du transport de la machine, ne la soulevez pas quand les batteries sont installées.

PENDANT LE FONCTIONNEMENT DE LA MACHINE

1. Utilisez toujours la machine avec précaution pour polir le long de murs ou d'obstacles.
2. Réduisez toujours la vitesse dans les virages afin de garder le contrôle de la machine.
3. Evitez les obstacles au sol tels que plaques de boîtes électriques ou grilles qui risquent de détruire le patin. Inclinez la machine, afin d'éviter les obstacles au sol.

REMARQUE: Quand la machine est complètement inclinée, le moteur du patin se coupe automatiquement.

4. Remplacez ou retournez les patins quand ils sont sales.
5. Vérifiez la lecture de compteur de pression de garniture périodiquement. Ajustez le mètre dans la zone verte.

ATTENTION: N'utilisez pas la machine dans la zone rouge ; ceci risque d'endommager le sol et de surcharger le moteur de la brosse.

6. Contrôlez périodiquement le niveau de charge des batteries. Quand l'aiguille passe dans la zone rouge, rechargez les batteries (Figure 17).

ATTENTION: Do not operate machine with the battery meter in the red zone, battery damage may result.

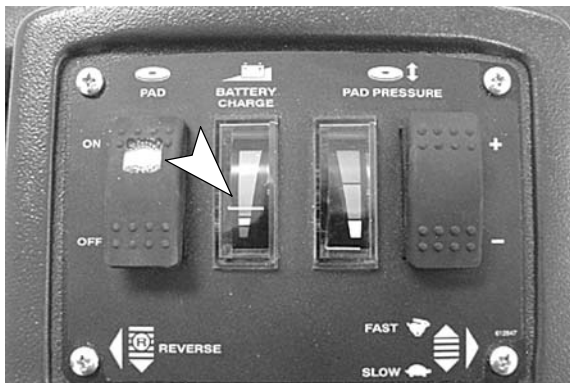


FIG. 17

7. Si le coupe-circuit du moteur saute, réduisez la pression du patin et/ou remplacez le patin sale. (voyez COUPE-CIRCUIT).

POUR VOTRE SECURITE: Avant de quitter ou d'entretenir la machine, arrêtez-la sur une surface horizontale, coupez le contact et engagez le frein parking.

POUR VOTRE SECURITE: Lors du transport de la machine, ne la soulevez pas quand les batteries sont installées.

⚠ MISE EN GARDE : N'utilisez pas de liquides inflammables ou n'utilisez pas la machine dans ou près de liquides ou vapeurs inflammables ou poussières combustibles.

COUPE-CIRCUIT

La machine est équipée de deux coupe-circuit réenclenchables : le coupe-circuit de l'alimentation principale (15A) et celui du moteur du patin (80A) afin de protéger la machine des dommages. Si le coupe-circuit du moteur du patin venait à sauter, déterminez la cause, laissez le moteur refroidir et réenclenchez le coupe-circuit. Le coupe-circuit du patin saute suite à une surcharge du patin. Remplacez le patin ou réduisez la pression du patin si le coupe-circuit venait à sauter. Le bouton du coupe-circuit du moteur du patin se trouve sous le couvercle du compartiment à batteries à l'avant de la machine (Figure 18).

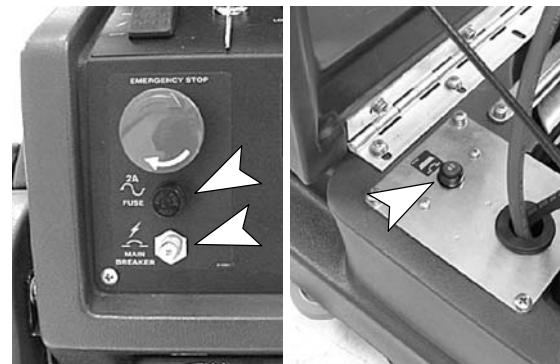


FIG. 18

BOUTON D'ARRÊT D'URGENCE (Modèle tracté - Option)

Pour arrêter la machine en cas d'urgence, appuyez sur le bouton d'arrêt d'urgence, situé à l'arrière du panneau de commande. Le bouton d'arrêt d'urgence coupe immédiatement l'alimentation de la machine.

Pour réenclencher le bouton d'arrêt d'urgence, coupez tous les boutons et tournez le bouton rouge vers la droite. Reprenez le nettoyage en utilisant la machine normalement. (Figure 19). Commandez l'article n° 612971 pour le kit d'installation sur place.



FIG. 19

COMPTEUR HORAIRE (Option)

Le compteur horaire enregistre le nombre d'heures de service de la machine. Utilisez le compteur horaire pour déterminer quand effectuer les procédures d'entretien recommandées et pour enregistrer l'historique des opérations d'entretien (Figure 20). Commandez l'article n° 612939 pour le kit d'installation sur place.



FIG. 20

INDICATEUR D'ARRÊT DE PATIN À BASSE TENSION (Modèle tracté - Option)

L'indicateur d'arrêt de patin à basse tension en option, coupe l'alimentation du moteur du patin lorsque le niveau de charge de la batterie approche le délai de recharge. Ceci permet à l'opérateur d'utiliser la capacité de charge de batterie restante pour transporter la machine vers le poste de chargement (Figure 21).

Fonctionnement de l'indicateur : Lorsque la capacité de charge des batteries atteint un niveau faible, un voyant se met à clignoter sur l'indicateur, signalant à l'opérateur qu'il est pratiquement temps de recharger les batteries. Lorsque deux voyants commencent à clignoter en alternance sur l'indicateur, l'alimentation du moteur de patin est coupée automatiquement. À ce moment, transportez la machine vers le poste de chargement. Commandez l'article n° 612941 pour le kit d'installation sur place.

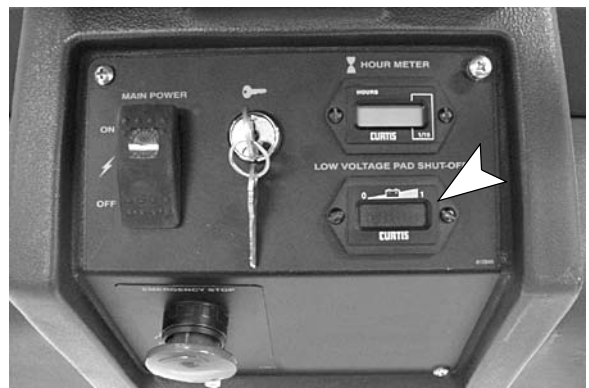


FIG. 21

CHARGING BATTERIES

ATTENTION : pour prolonger la durée de vie des batteries et obtenir des performances optimales, rechargez les batteries UNIQUEMENT après une durée d'utilisation totale de 30 minutes ou plus. Ne laissez jamais les batteries se décharger sur de longues périodes.

Les instructions de mise en charge ci-dessous sont destinées uniquement aux chargeurs de batteries fournis avec la machine. Utilisez uniquement un chargeur de batterie ayant les caractéristiques ci-dessous, afin d'éviter l'endommagement des batteries.

FONCTIONNEMENT

SPECIFICATIONS DU CHARGEUR:

- TENSION DE SORTIE - 36 VOLTS
- COURANT DE SORTIE - 25 AMPERES MAXIMUM
- CIRCUIT DE COUPURE AUTOMATIQUE
- POUR CHARGE DE BATTERIES A CYCLE INTENSIF

1. Transportez la machine dans un endroit bien aéré pour recharger les batteries.

⚠ MISE EN GARDE : danger d'incendie ou d'explosion. Les batteries émettent du gaz hydrogène. Evitez toute étincelle et toute flamme nue à proximité des batteries. Laissez ouvert le compartiment des batteries pendant la mise en charge.

2. Désactivez tous les boutons et enlevez la clé, si la machine en est équipée. Engagez le frein parking, si la machine est équipée de cette option.
3. Ouvrez les systèmes de verrouillage du couvercle du compartiment à batteries et ouvrez le compartiment à batteries.
4. Avant de charger les batteries, vérifiez le niveau d'électrolyte dans chaque élément de batterie (Figure 22).



FIG. 22

POUR VOTRE SECURITÉ: lorsque vous entretenez la machine, portez des gants et des lunettes de protection quand vous maniez les batteries et les câbles de batterie. Evitez tout contact avec l'acide des batteries.

Le niveau d'électrolyte (A) doit légèrement recouvrir les plaques de batteries (B). Ajoutez de l'eau distillée si nécessaire. NE REMPLISSEZ PAS TROP, le fluide va augmenter de volume et risque de déborder lors de la mise en charge. Remettez les bouchons sur les éléments, avant la mise en charge (Figure 23).

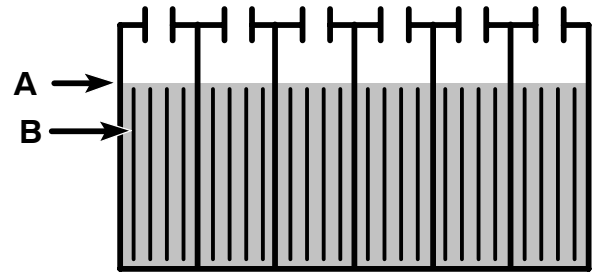


FIG. 23

5. Branchez le cordon d'alimentation CA du chargeur sur une prise mise à la terre correctement (Figure 24).

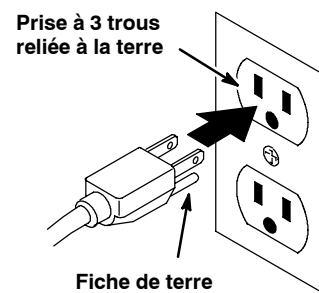


FIG. 24

6. Branchez le cordon de courant continu du chargeur sur la prise de batterie située à l'arrière de la machine (Figure 25).

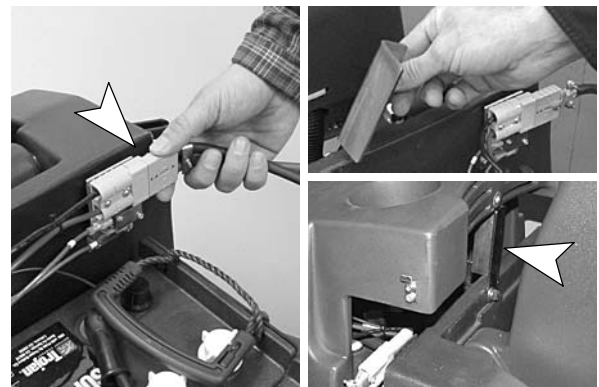


FIG. 25

7. Le chargeur commence automatiquement à charger et se coupe lorsque les batteries sont complètement chargées.

ATTENTION : ne débranchez pas le cordon d'alimentation en courant continu de la prise de la machine lorsque le chargeur est en fonctionnement. Ceci peut provoquer des étincelles. Si le chargeur doit être arrêté durant la mise en charge, débranchez d'abord le cordon d'alimentation en courant alternatif.

⚠ MISE EN GARDE : danger d'incendie ou d'explosion. Les batteries émettent du gaz hydrogène. Évitez toute étincelle et toute flamme nue à proximité des batteries. Laissez ouvert le compartiment des batteries pendant la mise en charge.

8. Batteries plomb-acide : après le chargement, vérifiez le niveau d'électrolyte (A) des batteries. Le niveau doit se trouver environ à 1 cm du bord inférieur de l'orifice de remplissage (B) (Figure 26). Ajoutez de l'eau distillée si nécessaire. **NE REMPLISSEZ PAS TROP.**

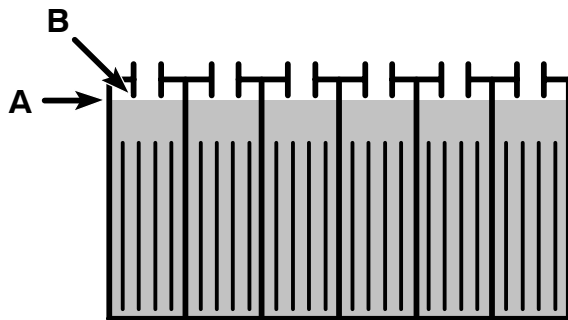


FIG. 26

ENTRETIEN DE LA MACHINE

Pour garder la machine en bon état de marche, suivez les procédures d'entretien quotidiennes, hebdomadaires et mensuelles.

⚠ MISE EN GARDE : danger électrique. Débranchez les câbles de la batterie avant l'entretien ou la réparation de la machine.

ENTRETIEN QUOTIDIEN (À la suite Tout Utilité)

1. Enlevez le patin à polir et nettoyez-le ou remplacez-le (Figure 27).



FIG. 27

2. Videz ou remplacez le sac à poussière. Retirez l'attache du sac pour vider le sac (Figure 28). Ne laissez pas le sac se remplir au-delà de la moitié de la capacité.

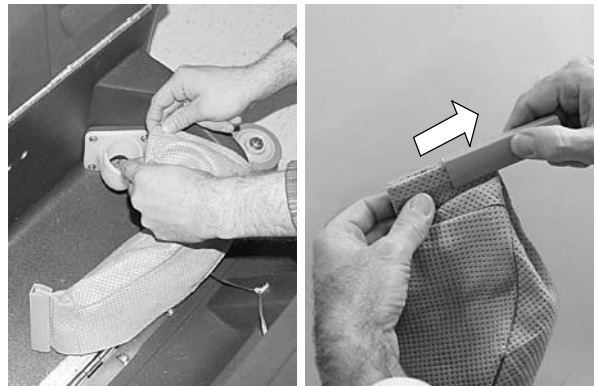


FIG. 28

3. Nettoyez le châssis de la machine avec un chiffon humide (Figure 29).

POUR VOTRE SECURITÉ: lorsque vous nettoyez la machine, n'utilisez pas de jet de pression sur la machine. Un dysfonctionnement électrique risque de se produire.



FIG. 29

4. Rechargez les batteries (Voir MISE EN CHARGE DES BATTERIES).

ENTRETIEN HEBDOMADAIRE (Toutes les 20 heures de service)

Avec un tuyau d'air comprimé, soufflez la poussière accumulée à l'intérieur du moteur d'entraînement du patin. Ceci prolongera la durée de vie du moteur. **Lunettes de sécurité requises** (Figure 30).



FIG. 30

ENTRETIEN MENSUEL (Toutes les 80 heures de service)

1. Vérifiez le niveau d'électrolyte dans chaque élément de batterie (voir ENTRETIEN DES BATTERIES).
2. Eliminez la corrosion du sommet des batteries (Voir ENTRETIEN DES BATTERIES).
3. Vérifiez si les câbles des batteries ne sont pas détachés ou corrodés.
4. Lubrifiez la roulette avec une graisse imperméable.
5. Vérifiez le serrage des écrous et des boulons de la machine.
6. Contrôlez l'état de la jupe anti-poussière, remplacez-la si elle est usée. (Figure 31).



FIG. 31

ENTRETIEN TRIMESTRIEL (Toutes les 250 heures de service)

Vérifiez l'usure des balais de charbon du (des) moteur(s) ; remplacez les balais si leur longueur est inférieure ou égale à 10 mm (0.38 in). Contactez votre centre d'entretien agréé pour un contrôle des balais de charbon (Figure 32).

Contactez un service de réparation agréé pour les réparations de la machine.

POUR VOTRE SECURITÉ: Lors du dépannage de la machine, toutes les réparations doivent être effectuées uniquement par un technicien qualifié.

⚠ MISE EN GARDE : danger électrique. Débranchez les câbles de la batterie avant l'entretien ou la réparation de la machine.

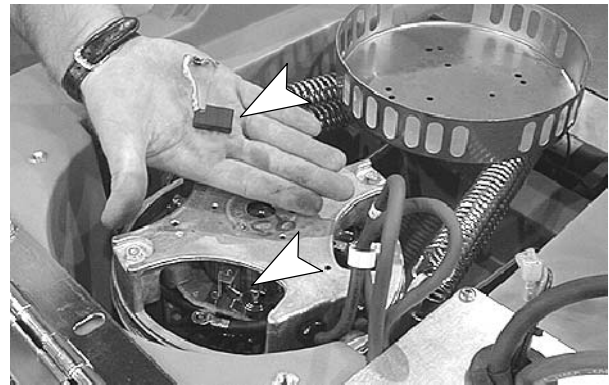


FIG. 32

ENTRETIEN DES BATTERIES

⚠ MISE EN GARDE : danger d'incendie ou d'explosion. Les batteries émettent du gaz hydrogène. Evitez toute étincelle et toute flamme nue à proximité des batteries. Laissez ouvert le compartiment des batteries pendant la mise en charge.

POUR VOTRE SECURITÉ : lorsque vous entretenez la machine, portez des gants et des lunettes de protection quand vous maniez les batteries et les câbles de batterie. Evitez tout contact avec l'acide des batteries.

1. Vérifiez la densité spécifique à l'aide d'un hydromètre, pour déterminer le niveau de charge et l'état des batteries (Figure 33). Si un ou plusieurs des éléments des batteries est (sont) plus faible(s) que les autres éléments des batteries (de 0,050 ou plus), cela signifie que l'élément (les éléments) est (sont) endommagé(s), que sa (leur) capacité est réduite ou qu'il(s) va (vont) bientôt tomber en panne. Comparez les mesures hydrométriques avec le tableau suivant pour déterminer le niveau de charge.

REMARQUE : n'effectuez pas de mesures juste après avoir ajouté de l'eau distillée. Si l'eau et l'acide ne sont pas bien mélangés, il se peut que les mesures ne soient pas exactes.



FIG. 33

DENSITÉ SPÉCIFIQUE à 27°C (80°F)	CHARGE DE BATTERIE
1.265	Chargée à 100%
1.223	Chargée à 75%
1.185	Chargée à 50%
1.148	Chargée à 25%
1.110	Déchargée

REMARQUE : si les lectures sont effectuées quand la température de l'électrolyte est autre que 27 °C (80°F), la lecture doit être corrigée par rapport au niveau de température. Ajoutez ou soustrayez 0,004 (4 points) à la lecture de densité spécifique, pour chaque 6 °C (43°F) au-dessus ou au-dessous de (80°F).

2. Suivez toujours attentivement les instructions de chargement (Voir CHARGEMENT DES BATTERIES).
3. Après la mise en charge des batteries, vérifiez le niveau d'électrolyte (A) **dans chaque élément de batterie**. Le niveau doit se trouver environ à 1 cm du bord inférieur de l'orifice de remplissage (B). Ajoutez de l'eau distillée si nécessaire (Figure 34). **NE REMPLISSEZ PAS TROP.**

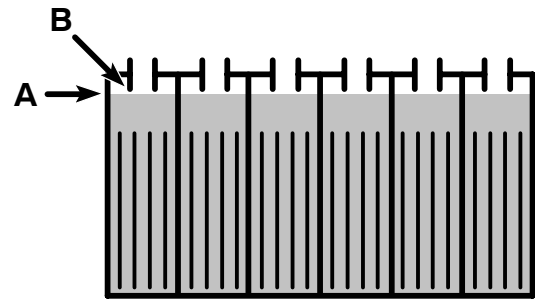


FIG. 34

4. Nettoyez la partie supérieure des batteries pour prévenir la corrosion des batteries.
Pour nettoyer les batteries:

POUR VOTRE SECURITÉ : lorsque vous entretenez la machine, portez des gants et des lunettes de protection quand vous maniez les batteries et les câbles de batterie. Evitez tout contact avec l'acide des batteries.

- a. Préparez une solution concentrée de bicarbonate de soude (Figure 35).



FIG. 35

- b. Brossez les surfaces supérieures et les cosses de câbles des batteries en utilisant la solution avec modération.

REMARQUE: veillez à ce que la solution de bicarbonate de soude ne pénètre pas dans les éléments des batteries.

- c. Utilisez une brosse métallique pour nettoyer les bornes et les cosses de câbles.
 - d. Une fois le nettoyage terminé, appliquez une couche de produit de protection pour batteries sur les bornes et les cosses de câbles.
5. Vérifiez si les câbles ne sont pas débranchés ou usés. Remplacez-les s'ils sont usés.

FONCTIONNEMENT

TRANSPORT DE LA MACHINE

Lorsque vous transportez la machine à l'aide d'une remorque ou d'un camion, veuillez suivre les instructions suivantes pour attacher la machine.

ATTENTION: Inclinez la machine avant de la charger ou de la décharger, afin d'éviter l'endommagement de la jupe antipoussière.

1. Chargez la machine à l'aide d'une rampe de chargement recommandée.

REMARQUE: Quand vous soulevez la machine, vous devez retirer les batteries.

POUR VOTRE SECURITÉ : Lors du transport de la machine, ne la soulevez pas quand les batteries sont installées. Demandez de l'aide pour soulever la machine.

2. Placez l'avant de la machine contre l'avant de la remorque ou de la plate-forme du camion.
3. Engagez le frein parking et placez des cales derrière les roues principales.
4. Mettez des sangles par-dessus la machine et fixez-les au plancher. Il se peut qu'il soit nécessaire d'installer des brides d'attache au plancher de votre remorque ou camion.

REMARQUE: N'utilisez pas les poignées de commande pour attacher la machine pendant le transport.

POUR VOTRE SECURITÉ : Lorsque vous transportez la machine, utilisez une rampe recommandée lorsque vous chargez la machine sur le camion ou la remorque ou lorsque vous la déchargez. Utilisez des sangles pour arrimer la machine sur le camion ou la remorque.

ATTENTION: N'inclinez pas la machine pour la transporter; l'acide des batteries risque de couler.

ENTREPOSAGE DE LA MACHINE


Entreposez la machine verticalement à l'abri de l'humidité.

ATTENTION: N'inclinez pas la machine pour l'entreposer; l'acide des batteries risque de couler.

ATTENTION: N'exposez pas la machine à la pluie. Entreposez-la à l'intérieur.

ÉLÉMENTS DE STOCK RECOMMANDÉS

Reportez-vous à la section Liste des pièces du manuel pour les articles de stock recommandés. Les articles de stock sont identifiés clairement à l'aide d'un point précédant la description de la pièce. Voir exemple ci-dessous:



Ref.	Part No.	Description	Qty.
1	701103	ASM.,STANDPIPE	1
2	190619	●FLOAT, SHUTOFF	1
3	230197	NIPPLE	1
4	101714	●GASKET	1
5	210240	NUT, FLANGED	1

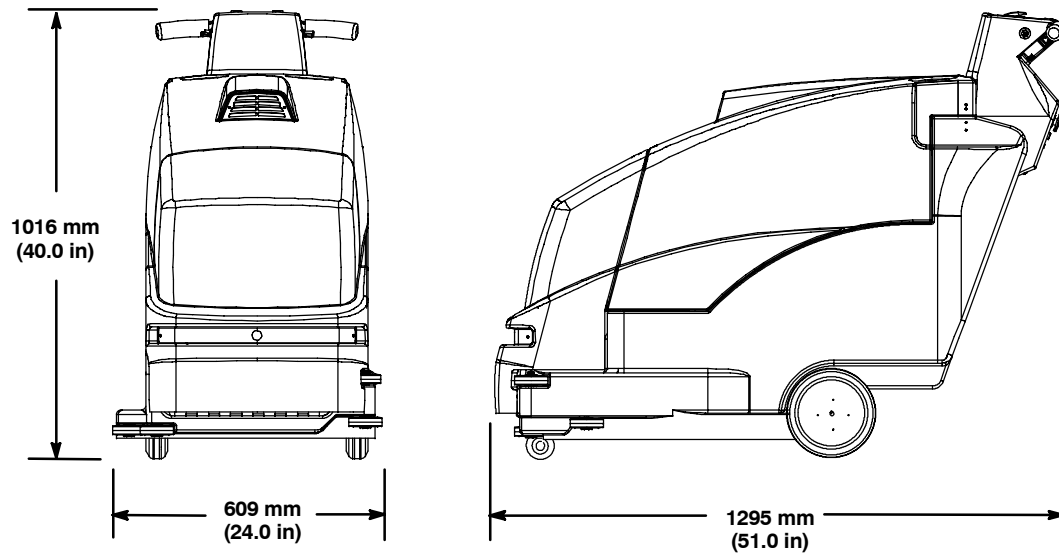
DEPISTAGE DES PANNES

PROBLEME	CAUSE	REMEDE
Pas d'alimentation.	Bouton principal ou contact défectueux.	Contactez le service de dépannage.
	Contact à clé défectueux (si la machine en est équipée).	Contactez le service de dépannage.
	Batterie(s) défectueuse(s).	Remplacez batterie(s).
	Câble de batterie détaché.	Rebranchez câbles détachés.
	Câble de batterie mal raccordé.	Voir mise en place des batteries.
	Coupe-circuit alimentation principale s'est déclenché.	Déterminez la cause et réenclenchez le coupe-circuit.
	Chargeur est branché.	Débranchez chargeur de batterie.
	Le bouton d'arrêt d'urgence est activé.	Tournez le bouton pour réenclencher.
Le moteur du patin ne fonctionne pas.	Bouton à molette défectueux.	Contactez le service de dépannage.
	Coupe-circuit du moteur du patin déclenché.	Remplacez le patin ou réglez la pression du patin. Réenclenchez le coupe-circuit.
	Fusible enflé (2A).	Remplacez le fusible (2A).
	Contacteur défectueux.	Contactez le service de dépannage.
	Câblage défectueux.	Contactez le service de dépannage.
	Moteur du système d'entraînement du patin défectueux.	Contactez le service de dépannage.
	Balais en charbon usés.	Contactez le service de dépannage.
	La machine posée sur ses roues arrière.	Rabaissez la machine.
Le moteur d'entraîne - ment ne fonctionne pas ou ne fonctionne pas convenablement (Modèle tracté).	Bouton à molette défectueux.	Contactez le service de dépannage.
	Connexion ou carte du circuit de commande de la vitesse défectueuse.	Contactez le service de dépannage.
	Solénoïde défectueux.	Contactez le service de dépannage.
	Moteur du système d'entraînement défectueux.	Contactez le service de dépannage.
	Câblage défectueux.	Contactez le service de dépannage.
	Balais en charbon usés.	Contactez le service de dépannage.
	Potentiomètre ou carte du circuit de commande de la vitesse défectueux.	Contactez le service de dépannage.
	Fil détaché.	Contactez le service de dépannage.
Brève durée de fonctionnement.	Niveau de charge des batteries faible.	Rechargez les batteries.
	Elément(s) de batterie défectueux.	Remplacez batterie.
	Batteries doivent être entretenues.	Voir entretien des batteries.
	Chargeur de batterie défectueux.	Remplacez le chargeur.

CARACTERISTIQUES TECHNIQUES

Modèle	SpeedGleam (Modèle non tracté)	SpeedGleam Plus (Modèle tracté)
LONGUEUR	1295 mm (51 in)	1295 mm (51 in)
LARGEUR	609 mm (24 in)	609 mm (24 in)
HAUTEUR	1016 mm (40 in)	1016 mm (40 in)
POIDS BATTERIES COMPRISES	240 Kg (529 lb)	246 Kg (544 lb)
SYSTEME D'ENTRAINEMENT	N/A (La garniture a aidé)	.2 hp Transaxle
VITESSE D'ENTRAINEMENT	N/A	Variable 0-73 m (0-240 ft) per min.
LARGEUR DU PATIN	508 mm (20 in)	508 mm (20 in)
MOTEUR DU PATIN	36V, 3hp, 2000 tours/minute, 80A, 2238W	36V, 3hp, 2000 rpm, 80A, 2238W
PRESSION DU PATIN	Variable 7-19 kg (15-40 lb)	Variable 7-19 kg (15-40 lb)
SAC A POUSSIERE	Sac tissu - 98% @ 1.0 micron	Sac tissu - 98% @ 1.0 micron
BATTERIES	3-215 amp/hour, 12v deep cycle	3-215 amp/hour, 12v deep cycle
RUN TIME, CONTINUOUS	Jusqu'à 2.4 heures	Jusqu'à 2.2 heures
DECIBEL RATING AT OPERATOR'S EAR, INDOORS ON TILE	70dB(A)	70dB(A)

DIMENSIONS DE LA MACHINE

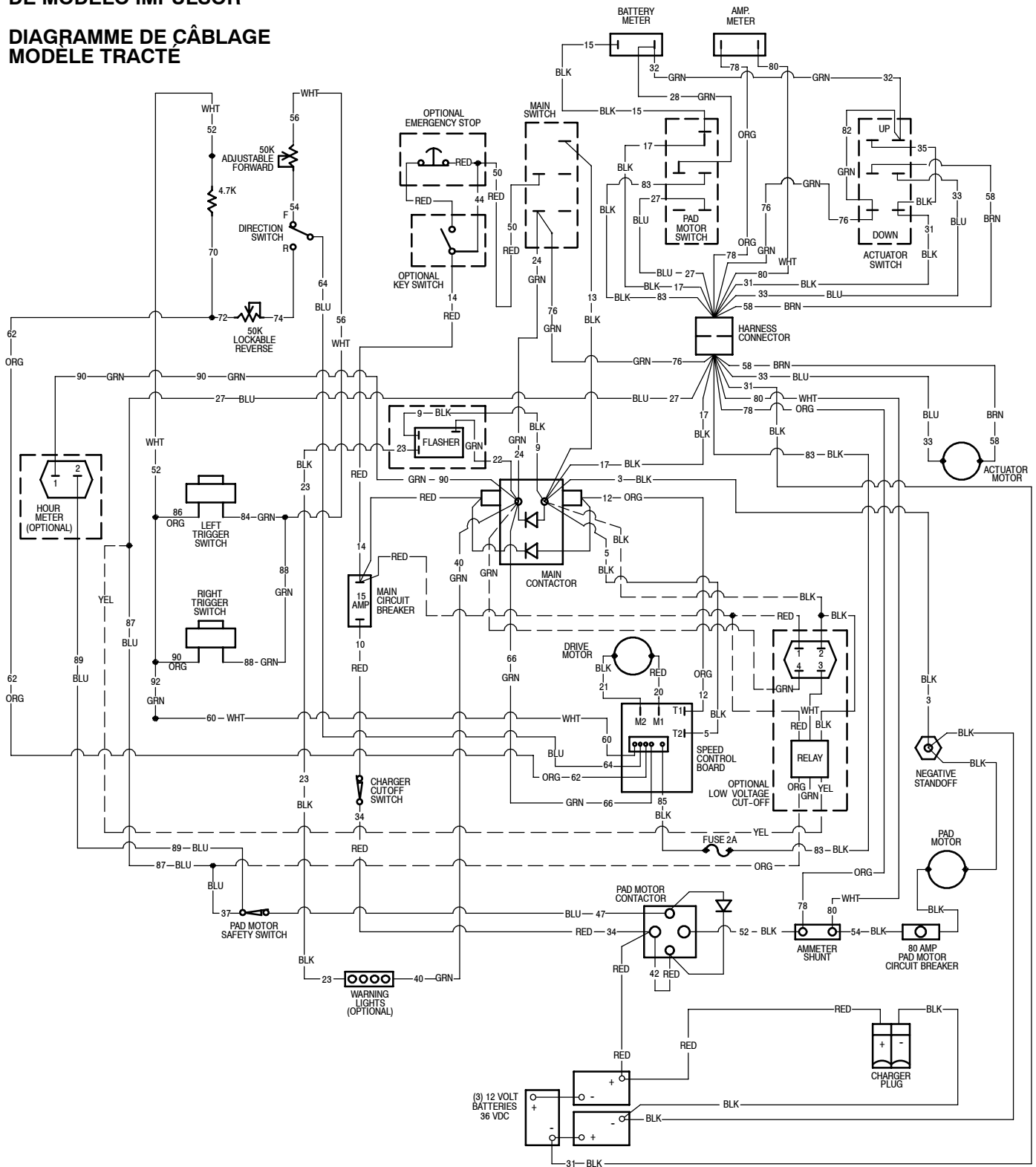


ELECTRICAL DIAGRAMS - DIAGRAMAS ELECTRICAS - SYSTEM ÉLECTRIQUE

WIRING DIAGRAM DRIVE MODEL

DIAGRAMA DE CABLEADO DE MODELO IMPULSOR

DIAGRAMME DE CÂBLAGE MODELE TRACTÉ

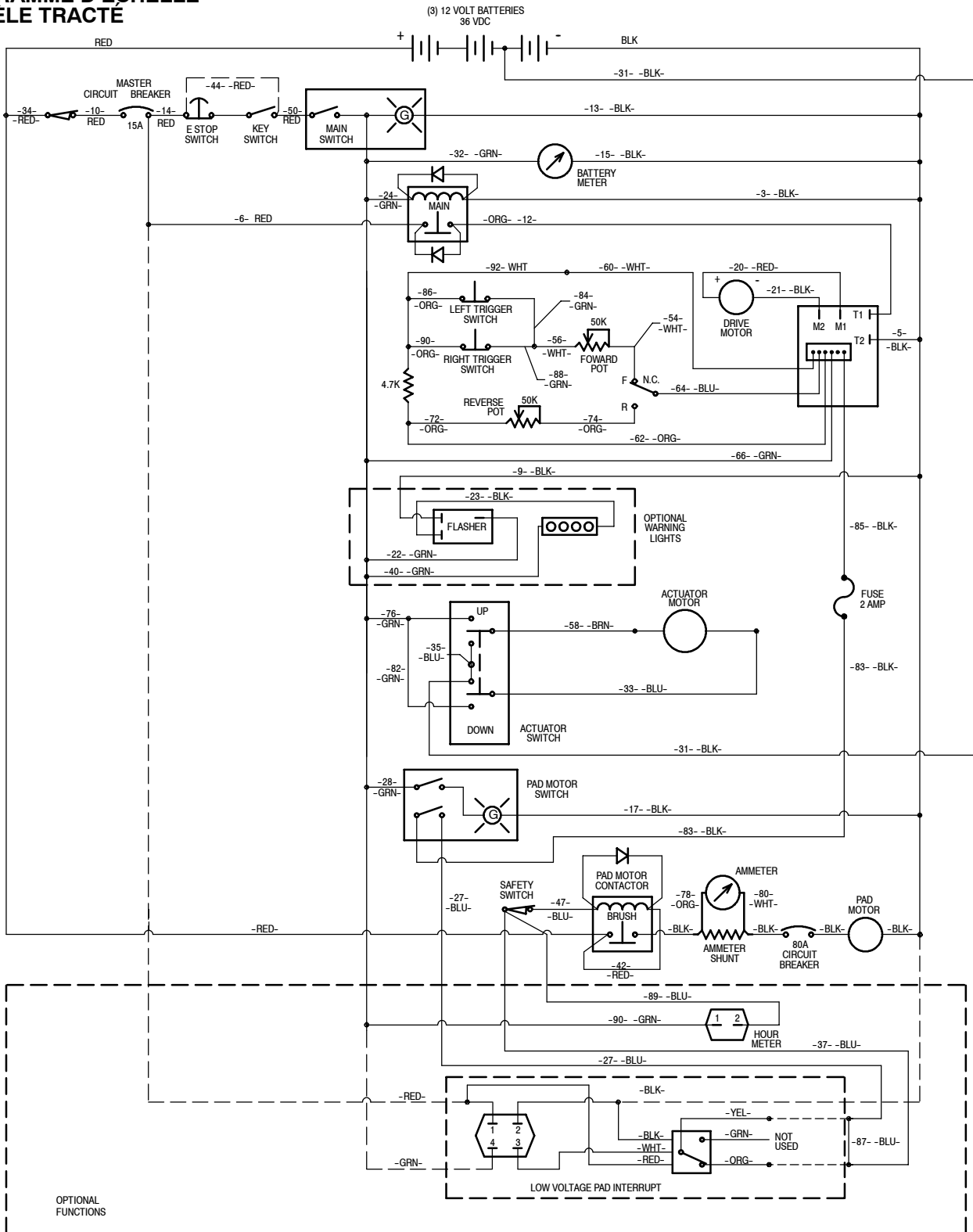


ELECTRICAL DIAGRAMS - DIAGRAMAS ELECTRICAS - SYSTEM ÉLECTRIQUE

LADDER DIAGRAM DRIVE MODEL

DIAGRAMA DE ESCALONADO DE MODELO IMPULSOR

DIAGRAMME D'ÉCHELLE MODÈLE TRACTÉ

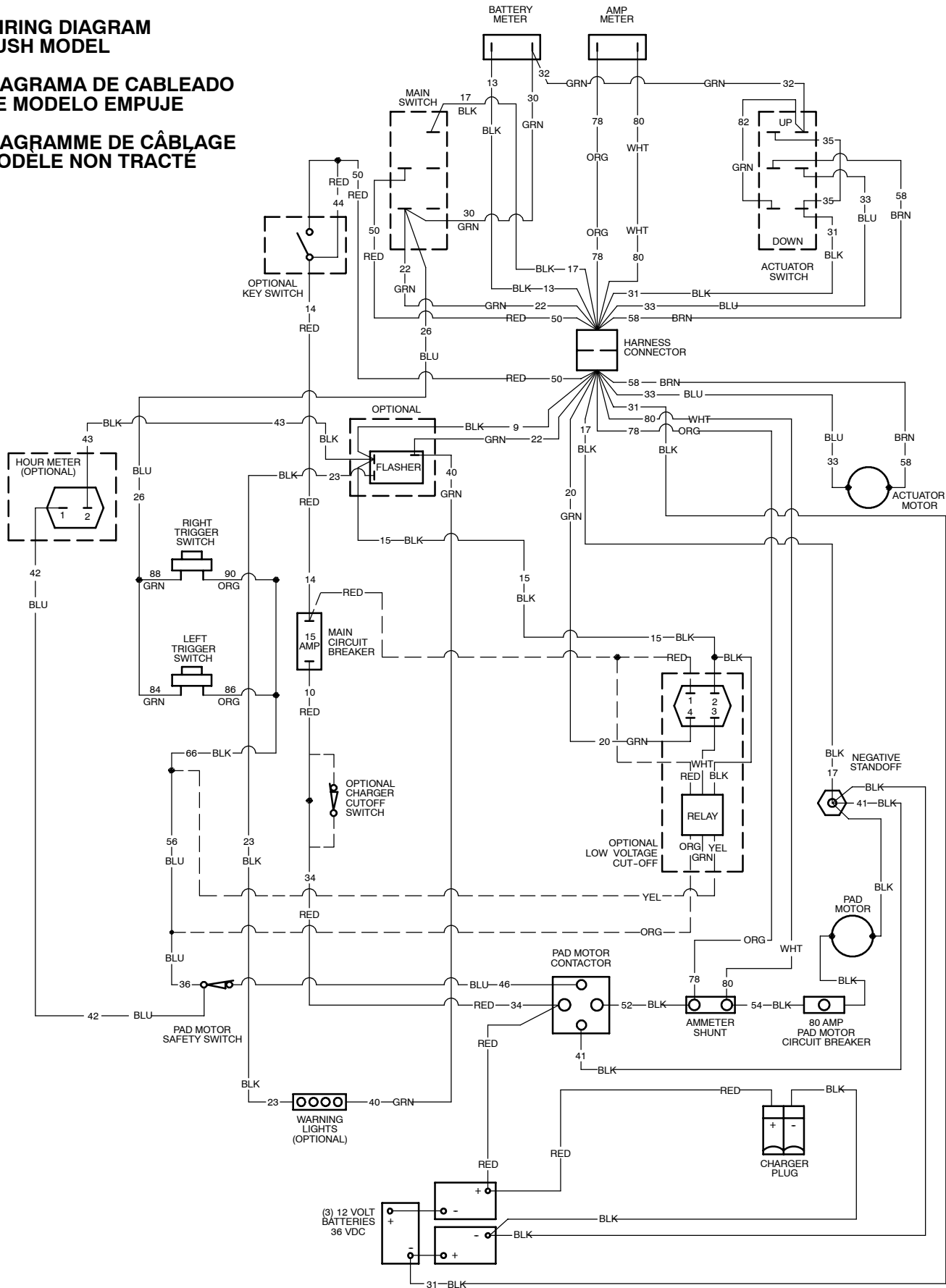


ELECTRICAL DIAGRAMS - DIAGRAMAS ELECTRICAS - SYSTEM ÉLECTRIQUE

WIRING DIAGRAM PUSH MODEL

DIAGRAMA DE CABLEADO DE MODELO EMPUJE

DIAGRAMME DE CÂBLAGE MODÈLE NON TRACTÉ

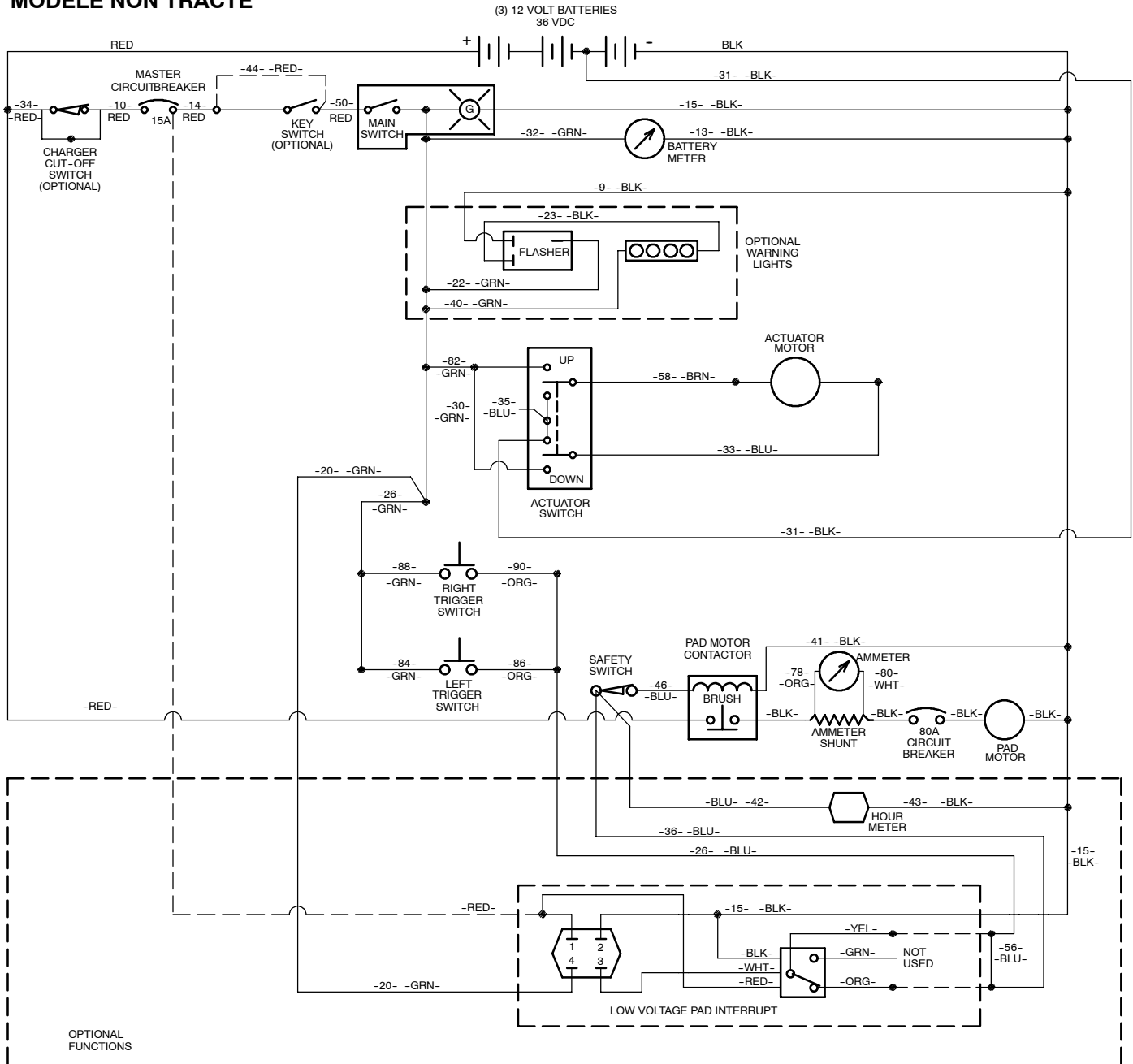


ELECTRICAL DIAGRAMS - DIAGRAMAS ELECTRICAS - SYSTEM ÉLECTRIQUE

LADDER DIAGRAM PUSH MODEL

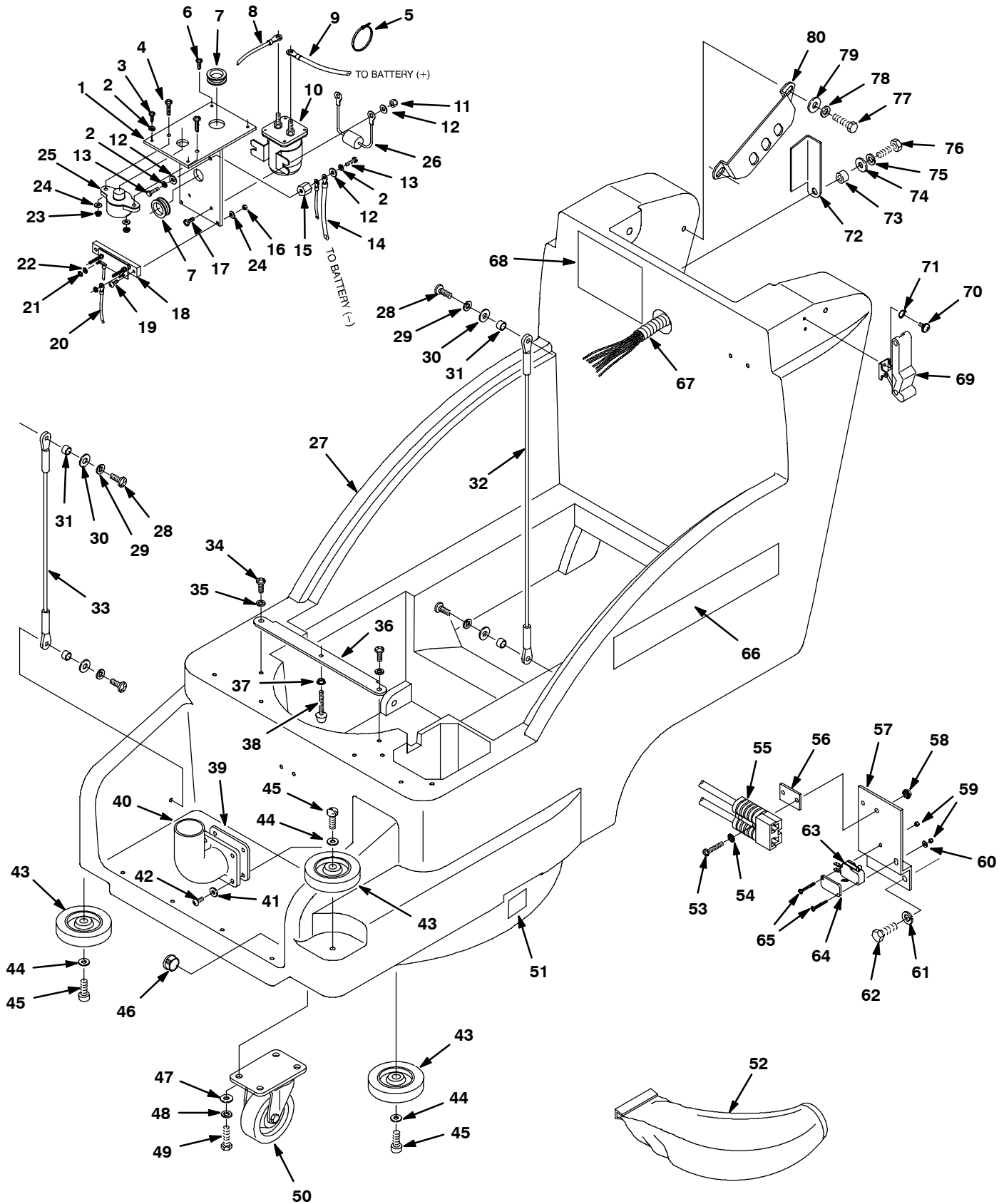
DIAGRAMA DE ESCALONADO DE MODELO EMPUJE

DIAGRAMME D'ÉCHELLE MODÈLE NON TRACTÉ



PARTS LIST - LISTA DE PIEZAS - LISTE DES PIÈCES

MAIN HOUSING GROUP / GRUPO PRINCIPAL DEL CERRAMIENTO / GROUPE PRINCIPAL DE COMPARTIMENT



PARTS LIST - LISTA DE PIEZAS - LISTE DES PIÈCES

MAIN HOUSING GROUP / GRUPO PRINCIPAL DEL CERRAMIENTO / GROUPE PRINCIPAL DE COMPARTIMENT

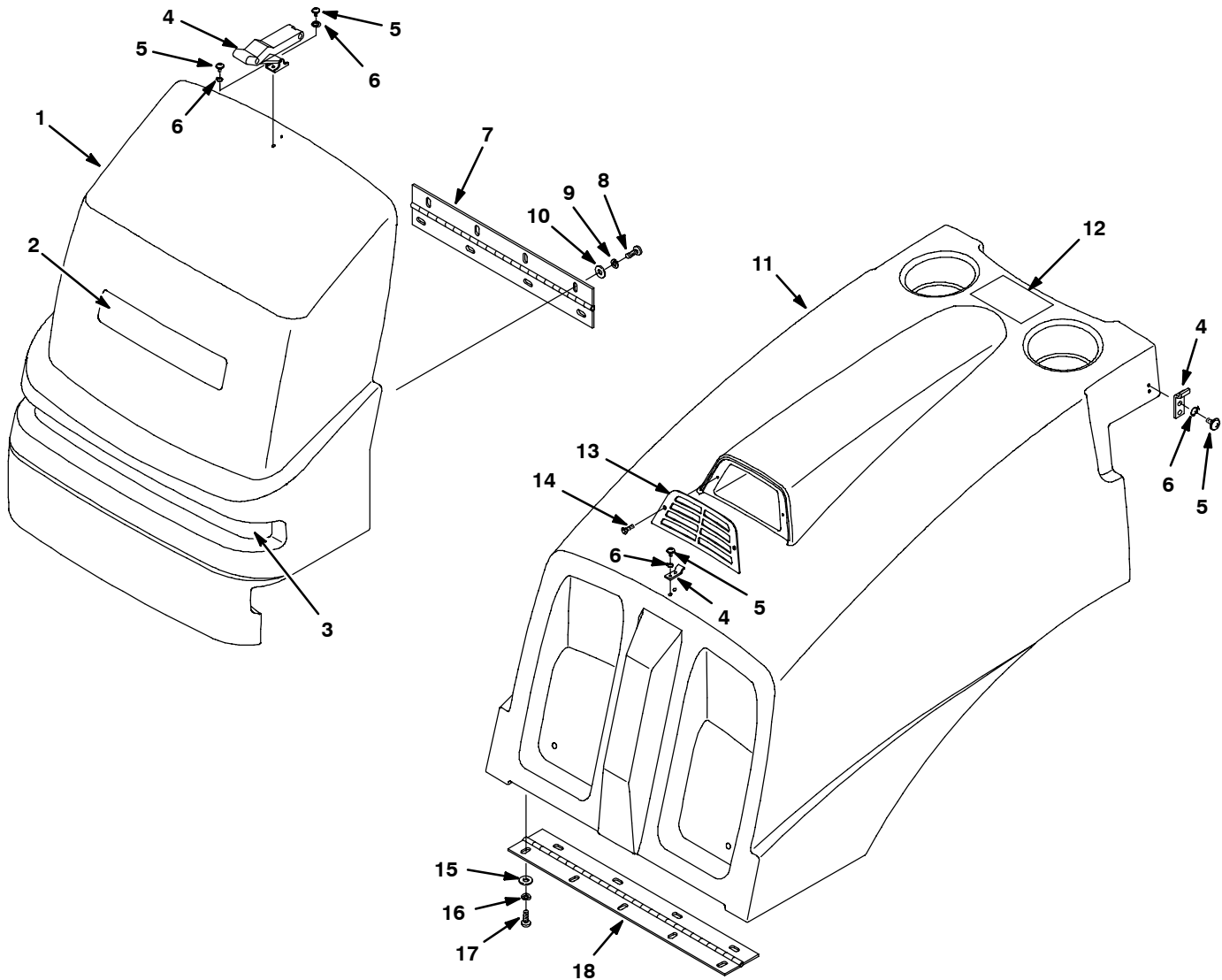
REF	PART #	DESCRIPTION	QTY.
1	604271	BRACKET, ELECTRICAL CHASSIS	1
2	140016	WASHER, 1/4" LOCK	5
3	363503	SCREW, M6X1.0X12 PANPHL	3
4	578302000	SCREW, M5X0.8X20 PANPHL	2
5	130041	WIRE TIE	1
6	140340	SCREW, #10-24X5/8 PANPHL	1
7	069762009	GROMMET, DIA 25.4X03	2
8	604291	ASM, WIRE #4 BLK X 6"	1
9	604289	ASM, WIRE #4 RED X 46"	1
10	612766AM	●CONTACTOR, 36 VDC (PLUS MODEL)	1
11	08712	NUT, M6X1.0 NYLOCK (PLUS MODEL)	2
12	140000	WASHER, 1/4" FLAT	4
13	01696	SCREW, 1/4-20X1/2 HXHDCP	2
14	604290	ASM, WIRE #4 BLK X 27"	1
15	76062	INSULATOR, PANEL & SWITCH-BOARD	1
16	09739	NUT, M5X0.8 NYLOCK	2
17	608322	SCREW, M6X1.0X16 TRSPHL (PLUS MODEL)	2
18	605292	SHUNT	1
19	578302000	SCREW, M5X0.8X20 PANPHL	2
20	604292	ASM, WIRE #4 BLK X 6"	1
21	140524	NUT, 1/4-20 KEP	2
22	140026	WASHER, #6 FLAT	1
23	09739	NUT, M5X0.8 NYLOCK	2
24	140011	WASHER, 3/16" FLAT	4
25	130781	●BREAKER, CIRCUIT 80 AMP	1
26	606404	●ASM., DIODE, WITH RING TERMINALS (PLUS MODEL)	1
27	608379	CHASSIS, GREEN	1
28	600385	SCREW, M6X1.0X20 PANPHL	4
29	140016	WASHER, 1/4" LOCK	4
30	140000	WASHER, 1/4" FLAT	4
31	1001553	BUSHING, 0.25IDX0.38OD	4
32	1001518	ASM., CABLE, TANK 20.5"	1
33	19676	ASM., CABLE, DUST COVER 13"	1
34	363503	SCREW, M6X1.0X12 PANPHL	2
35	140016	WASHER, 1/4" LOCK	2
36	604276	BRACKET, MOTOR STOP	1
37	140524	NUT, 1/4-20 KEP	1
38	606684	STOP, MOTOR	1
39	100121	GASKET, ELBOW 1/4"	1
40	613136	ELBOW, DEFLECTOR RM-NAT	1
41	140011	WASHER, 3/16" FLAT	4
42	069760103	SCREW, #10X1 RNDPHL	4

REF	PART #	DESCRIPTION	QTY.
43	1014918	●WHEEL, RBR, 3.0D 1.0W	4
44	140027	WASHER, 5/16" FLAT	4
45	603154	SCREW, M8X1.25X40 PANPHL	4
46	130284	PLUG, HOLE 1" DIA	1
47	140027	WASHER, 5/16" FLAT	4
48	140015	WASHER, 5/16" LOCK	4
49	15675	SCREW, M8X1.25X16 HXHDCP	4
50	103001	●CASTER, SWIVEL 3"	1
51	578769	DECAL, MOVING PARTS	2
52	900210	●BAG, CLOTH	1
	611781	●BAG, PAPER FILTER PK=10	1
53	140829	SCREW, #6-32X1 PANPHL	2
54	140019	WASHER, #6 LOCK	2
55	604288	ASM., CABLE CHARGE PLUG	1
56	603331	SPACER, CHARGER PLUG	1
57	604270	BRACKET, CHARGER PLUG	1
58	140539	NUT, #6-32 KEP	2
59	579211	NUT, M3X.5 HXLCK (PLUS MODEL)	2
60	601127000	WASHER, M3.7 FLAT (PLUS MODEL)	1
61	140016	WASHER, 1/4" LOCK	2
62	363503	SCREW, M6X1.0X12 PANPHL	2
63	600437	●SWITCH, ROLLER 15A (PLUS MODEL)	1
64	601359	PLATE, SWITCH BACKING (PLUS MODEL)	1
65	578403000	SCREW, M3X.5X20 PANPHL (PLUS MODEL)	2
66	1035550	DECAL, SPEEDGLEAM	2
	1035549	DECAL, SPEEDGLEAM PLUS	2
67	612853	HARNESS, WIRE MAIN (PLUS MODEL)	1
	612887	HARNESS, WIRE MAIN DRIVE (STANDARD MODEL)	1
68	604304	DECAL, BATTERY DIAGRAM	1
69	49800	●LATCH, HOOD RUBBER	3
70	200070340	SCREW, M4X.7X8 PANPHL	12
71	02938	WASHER, LOCK, INT, 08, SS	12
72	1001493	SUPPORT	1
73	611418	SLEEVE PM 0.437 0.315B 0.142 STL	1
74	140027	WASHER, 5/16" FLAT	1
75	140015	WASHER, 5/16" LOCK	1
76	15675	SCREW, M8X1.25X16 HXHDCP	1
77	15675	SCREW, M8X1.25X16 HXHDCP	4
78	140015	WASHER, 5/16" LOCK	4
79	140027	WASHER, 5/16" FLAT	4
80	230661	PLATE, LOCK CONTROL HOUSING	2

- RECOMMENDED STOCK ITEM / PIEZAS RECOMENDADAS EN ALMACÉN / ÉLÉMENTS DE STOCK RECOMMANDÉS

PARTS LIST - LISTA DE PIEZAS - LISTE DES PIÈCES

DUST BAG AND BATTERY COVER GROUP / GRUPO DE LA CUBIERTA DE LA BATERÍA Y BOLSA COLECTORA DE POLVO / GROUPE SAC À POUSSIÈRE ET COUVERCLE DU COMPARTIMENT À BATTERIES



REF	PART #	DESCRIPTION	QTY.
1	612871	COVER, DUST BAG	1
2	1034637	DECAL, NOBLES LOGO	1
3	604297	DECAL, RECESS BLACK	1
4	49800	●LATCH, HOOD RUBBER	3
5	200070340	SCREW, M4X.7X8 PANPHL	12
6	02938	WASHER, LOCK, INT, 08, SS	12
7	1000413	HINGE, DUST COVER	1
8	363503	SCREW, M6X1.0X12 PANPHL	8
9	140016	WASHER, 1/4" LOCK	8

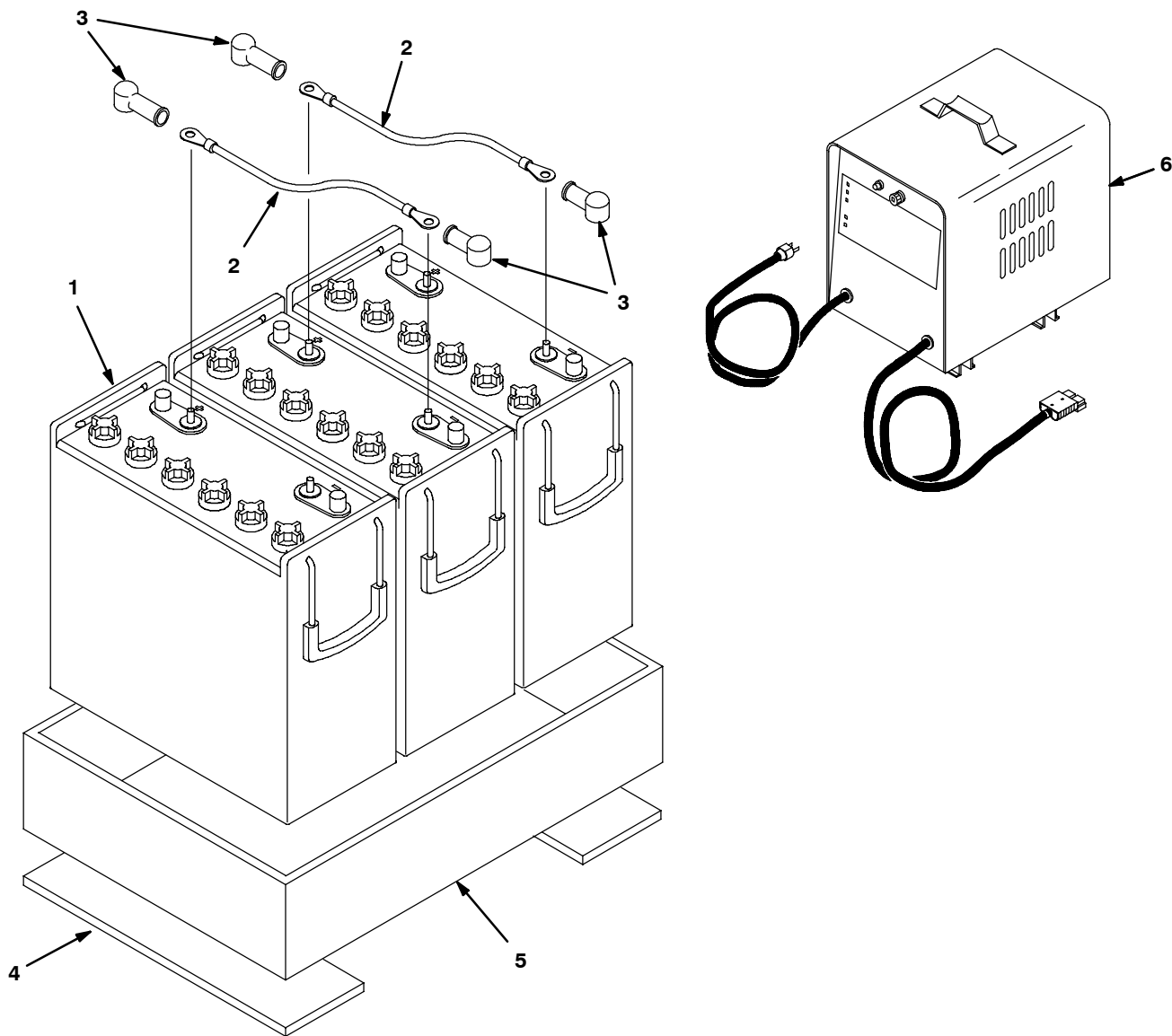
REF	PART #	DESCRIPTION	QTY.
10	140000	WASHER, 1/4" FLAT	8
▽ 11	614229	ASM, COVER, BATTERY, W/LABEL	1
▲ 12	1026387	LABEL, WARNING [EXPL,FIRE,SHK EN/FR/ES]	1
13	1000554	GRILL, BATTERY COVER	1
14	140825	SCREW, #6X1/2" SHTMTL	2
15	140000	WASHER, 1/4" FLAT	9
16	140016	WASHER, 1/4" LOCK	9
17	363503	SCREW, M6X1.0X12 PANPHL	9
18	603268	HINGE, BATTERY COVER	1

▽ ASSEMBLY / CONJUNTO / ENSEMBLE
 ▲ INCLUDED IN ASSEMBLY / INCLUIDO A CONJUNTA / Y COMPRIS EN ENSEMBLE

● RECOMMENDED STOCK ITEM / PIEZAS RECOMENDADAS EN ALMACÉN /
 ÉLÉMENTS DE STOCK RECOMMANDÉS

PARTS LIST - LISTA DE PIEZAS - LISTE DES PIÈCES

BATTERY AND CHARGER GROUP / CONJUNTO DE BATERÍA Y CARGADOR / GROUPE DE BATTERIE ET DE CHARGEUR



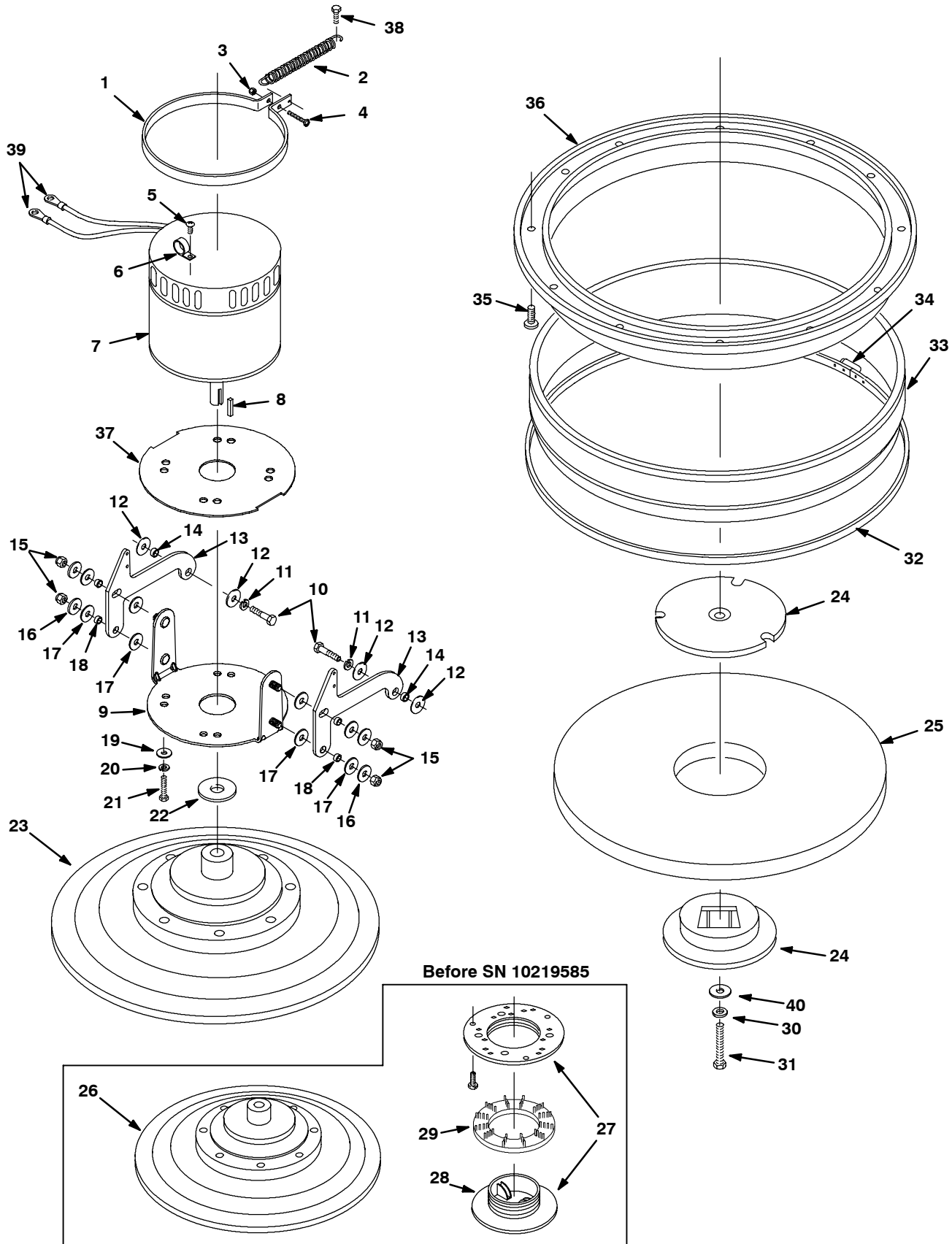
REF	PART #	DESCRIPTION	QTY.
1	600394	●BATTERY, 12V, 215A (OPTIONAL)	3
2	611116000	●CABLE, BATTERY #6 BLACK X 15"	2
3	611221	●BOOT, BATTERY, BLACK	6

- RECOMMENDED STOCK ITEM / PIEZAS RECOMENDADAS EN ALMACÉN / ÉLÉMENTS DE STOCK RECOMMANDÉS

REF	PART #	DESCRIPTION	QTY.
4	611022	GASKET, BATTERY TRAY	2
5	604298	TRAY, BATTERY	1
6	469760868	●CHARGER, 36DC 25 AMP (OPTIONAL)	1

PARTS LIST - LISTA DE PIEZAS - LISTE DES PIÈCES

PAD DRIVER GROUP / GRUPO IMPULSOR DE LA ALMOHADILLA / GROUPE ENTRAINEMENT DU PATIN



PARTS LIST - LISTA DE PIEZAS - LISTE DES PIÈCES

PAD DRIVER GROUP / GRUPO IMPULSOR DE LA ALMOHADILLA / GROUPE ENTRAINEMENT DU PATIN

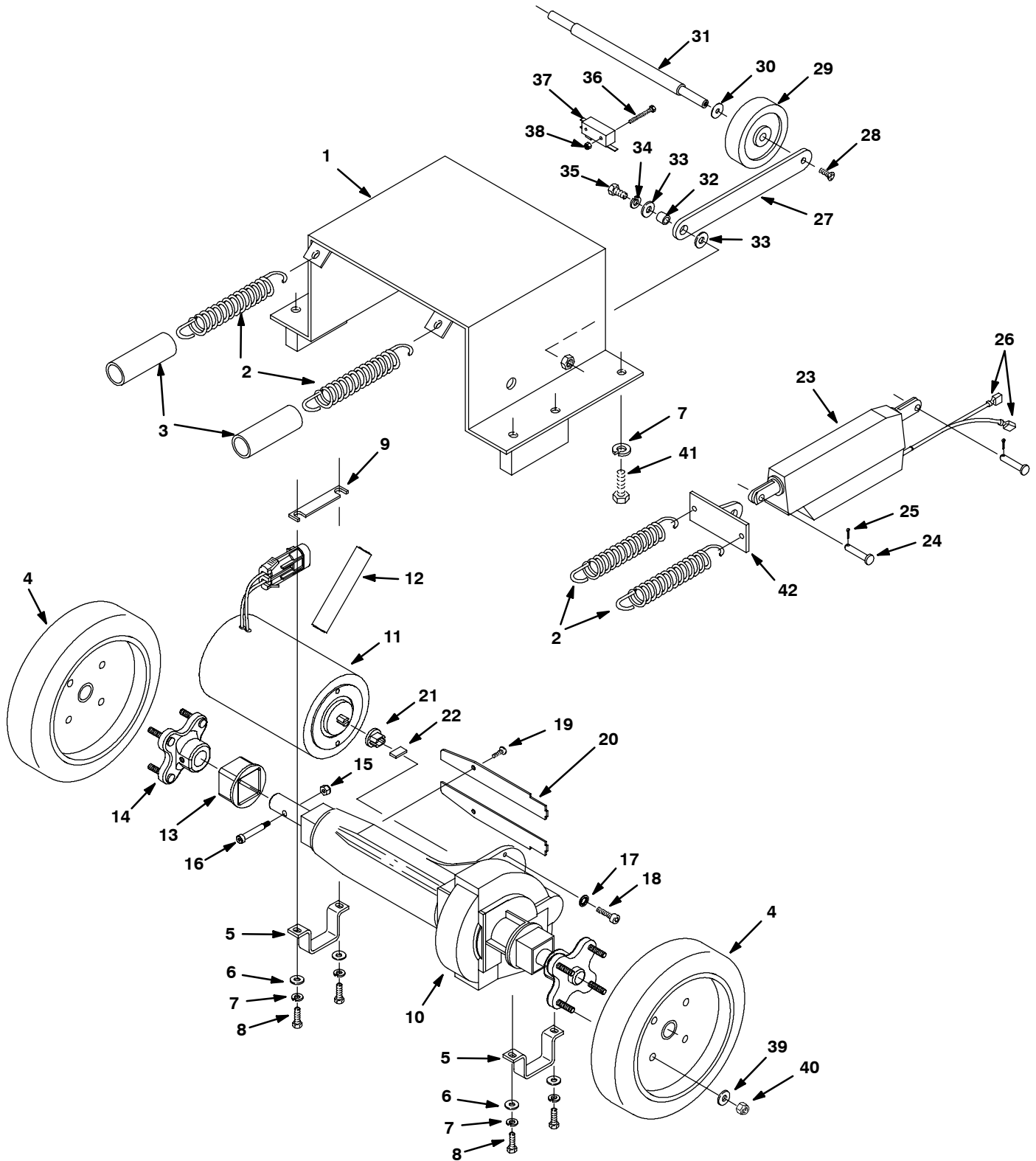
REF	PART #	DESCRIPTION	QTY.
1	604278	BRACKET, MOTOR SPRING	1
2	604333	SPRING, EXT .50X4X.063	1
3	08712	NUT, HEX, LOCK, M6X1.0, SS, NL	1
4	630431	SCREW, M6X1.0X40 HXHDCP	1
5	140890	SCREW, #10-24X1/2" TRSPLH	1
6	140323	CLAMP, NYLON 1/2" ID	1
▽ 7	603398	●MOTOR, 36VDC 2000 RPM 3HP	1
	621478	●BRUSH, CARBON	4
▲ 8	140628	KEY, MOTOR 3/16X1	1
9	1021186	BRACKET, MOUNT, MOTOR	1
10	09745	SCREW, HEX, M12X1.75X25, SS	2
11	140024	WASHER, 1/2" LOCK	2
12	140045	WASHER, 1/2" FLAT	4
13	603273	LIFT ARM MOTOR	2
14	140139	SLEEVE, P/M, 0.625D 0.500B 0.25L	2
15	36643	NUT, HEX, LOCK, .38-16, NL, THIN	4
16	140028	WASHER, 3/8" FLAT	4
17	20536-2	WASHER, FLAT, 0.47B 1.19D .03, NYL	8
18	600191	SLEEVE, P/M, 0.500D0.375B0.23L	4
19	140028	WASHER, 3/8" FLAT	4
20	140017	WASHER, 3/8" LOCK	4
21	02994	SCREW, HEX, .38-16X0.75, SS	4

REF	PART #	DESCRIPTION	QTY.
22	069760023	WASHER, FLAT .77X1.26X.03	1
▽ 23	1019931	●PAD DRIVER 20" ASSY W/HUB (After SN 10219585)	1
▲ 24	370095	●DEVICE, CENTERING	1
25	611788	●PAD, BRH 20" HB CARTON = 5 PADS	1
▽ 26	605348	●PAD DRIVER 20" ASSY W/HUB (Before SN 10219585)	1
▲▽ 27	25707	●ASM., CENTERLOCK	1
▲ 28	100101	RING, PAD RETAINER	1
29	572084000	●WASHER, PAD DRIVER LOCK	1
30	41186	WASHER, .31 BELLEVILLE	1
31	140203	SCREW, .31-24X1.25 HXHDCP	1
32	605103	●STRAP, 3/8X74 IN	1
33	603744	●SKIRT, DUST CONTROL	1
34	230913AM	SCREW CLAMP, SKIRT BANDING	1
35	140340	SCREW, #10-24X5/8 PANPHL	6
36	230888	RING, DUST SHIELD	1
37	600195	SEAL, MOTOR BASE	1
38	600385	SCREW, M6X1.0X20 PANPHL	1
39	130162	TERMINAL, RING 1/4 8GA RED	2
40	25732	WASHER, FLAT 1.25X.359X.093	1

- ▽ ASSEMBLY / CONJUNTO / ENSEMBLE
- ▲ INCLUDED IN ASSEMBLY / INCLUIDO A CONJUNTA / Y COMPRIS EN ENSEMBLE
- RECOMMENDED STOCK ITEM / PIEZAS RECOMENDADAS EN ALMACÉN / ÉLÉMENTS DE STOCK RECOMMANDÉS

PARTS LIST - LISTA DE PIEZAS - LISTE DES PIÈCES

DRIVE GROUP (Drive Model) / GRUPO DE TRANSMISIÓN (Modelo Impulsor) / GROUPE D'ENTRAÎNEMENT (Modèle tracté)



PARTS LIST - LISTA DE PIEZAS - LISTE DES PIÈCES

DRIVE GROUP (Drive Model) / GRUPO DE TRANSMISIÓN (Modelo Impulsor) / GROUPE D'ENTRAÎNEMENT (Modèle tracté)

REF	PART #	DESCRIPTION	QTY.
1	603277	FRAME WELDMENT	1
2	140431	SPRING, EXT 1X.095X5	4
3	611023	SLEEVE, SPRING	2
4	613026	●WHEEL, 8.0D 2.00W	2
5	602881	BRACKET, TRANSAXLE MTG	2
6	140028	WASHER, 3/8" FLAT	4
7	140333	WASHER, M10 LOCK	6
8	06963	SCREW, M10X1.5X60 HEXHD	4
9	604293	SPACER, 3/4X4X1/16	1
▽	612845	TRANSAXLE, MOTOR, 36V - REPLACED BY 1007083 (Before SN 10206962)	1
	1007083	TRANSAXLE, MOTOR, 36V (After SN 10206962)	1
▲ 10	612873	BODY, TRANSAXLE ONLY	1
▲ 11	612878	MOTOR, TRANSAXLE	1
▲ 12	612883	●KIT, BRUSH, CARBON QTY (2) FOR 612845 TRANSAXLE	1
	614166	●KIT, BRUSH, CARBON QTY (4) FOR 1007083 TRANSAXLE	1
▲ 13	612880	SLEEVE, TRANSAXLE	2
▲ 14	612879	HUB, WHEEL TRANSAXLE	2
▲ 15	140552	NUT, #10-24 NYLOCK	2
▲ 16	31249	BOLT, #10-24 SHOULDER	2
▲ 17	32982	WASHER, 1/4" LOCK	2

▽ ASSEMBLY / CONJUNTO / ENSEMBLE

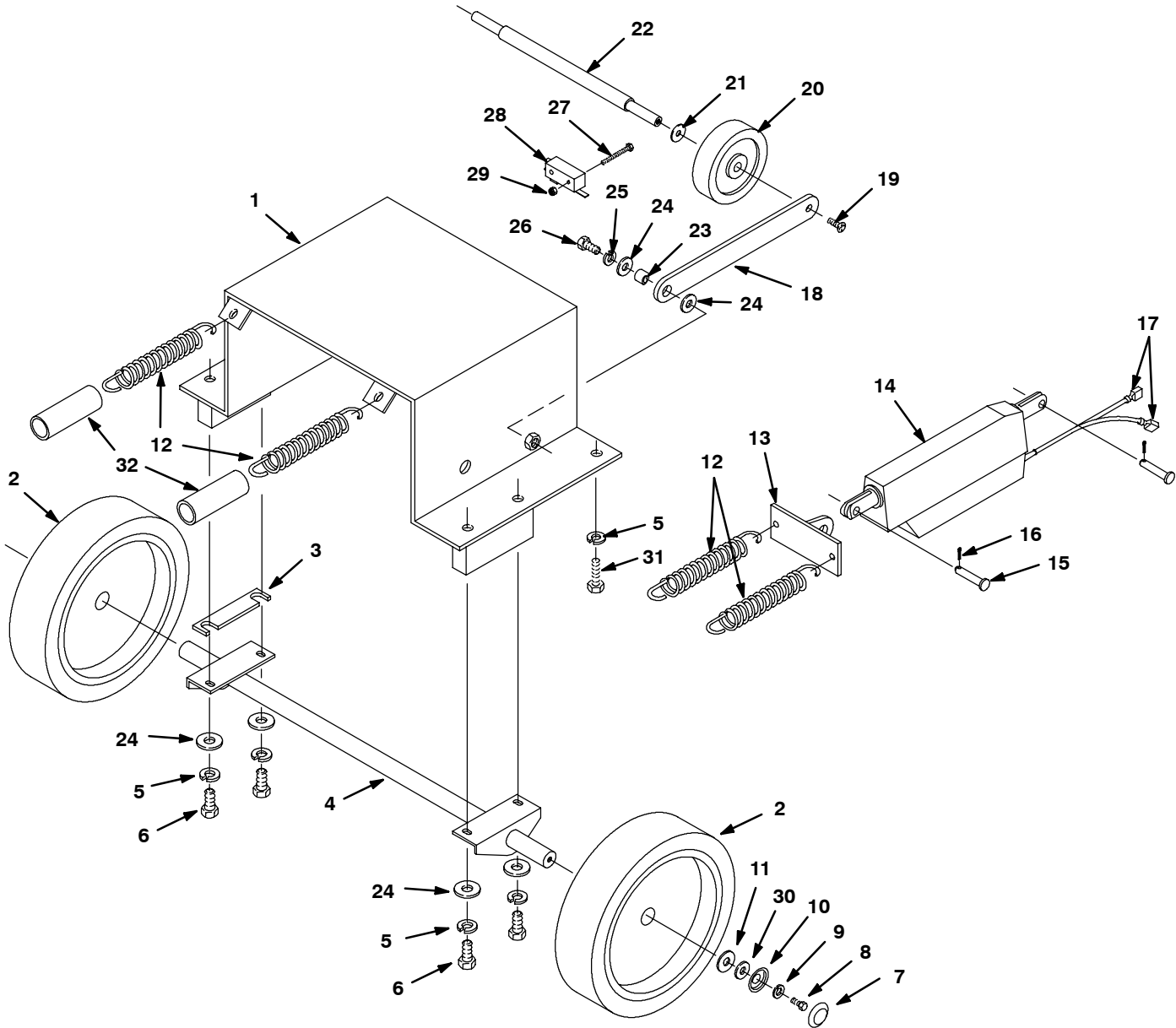
▲ INCLUDED IN ASSEMBLY / INCLUIDO A CONJUNTA / Y COMPRIS EN ENSEMBLE

● RECOMMENDED STOCK ITEM / PIEZAS RECOMENDADAS EN ALMACÉN / ÉLÉMENTS DE STOCK RECOMMANDÉS

REF	PART #	DESCRIPTION	QTY.
▲ 18	01681	SCREW, SOC, 1/4-20X3/4 FOR 612845 TRANSAXLE	2
	33951	SCREW, SOC, M6X1.0X20, 12.9 FOR 1007083 TRANSAXLE	2
▲ 19	577031000	SCREW, 8X1/2 PANPHL	2
▲ 20	N/A	COVER, TRANSAXLE	2
▲ 21	612874	COUPLING, TRANSAXLE REPLMT	1
▲ 22	612875	KEY, SPECIAL, TRANSAXLE REPLMT	1
23	600952	●ACTUATOR	1
24	604076	PIN, CLEVIS 10X28MM	2
25	578421	PIN, COTTER	2
26	130133	TERMINAL, MALE RED	2
27	603267	PLATE, PIVOT ARM	2
28	069762098	SCREW, M6X1.0X16 FLTPHL	2
29	103066	●WHEEL, 4" DIA X 1.5X.50 GRAY	2
30	140045	WASHER, 1/2" FLAT	2
31	603274	AXLE, REAR WHEELS	1
32	140144	SLEEVE, P/M, 0.496D 0.318B 0.33L	2
33	140028	WASHER, 3/8" FLAT	4
34	140017	WASHER, 3/8" LOCK	2
35	69225	SCREW, 3/8-16X1 HXHDCP	2
36	140829	SCREW, #6-32X1 PANPHL	2
37	1013132	●SWITCH, SNAP 25A LEVER	1
38	140539	NUT, #6-32 KEP	2
39	140000	WASHER, 1/4" FLAT	8
40	41169	NUT, 1/4-20 NYLOCK	8
41	09291	SCREW, HEX, M10X1.5X20, SS	2
42	609450	BRACKET, SPRING	1

PARTS LIST - LISTA DE PIEZAS - LISTE DES PIÈCES

WHEEL GROUP (Push Model) / CONJUNTO DE LA RUEDA (Modelo de Empuje) / GROUPE ROUE (Modèle non tracté)



PARTS LIST - LISTA DE PIEZAS - LISTE DES PIÈCES

WHEEL GROUP (Push Model) / CONJUNTO DE LA RUEDA (Modelo de Empuje) / GROUPE ROUE (Modèle non tracté)

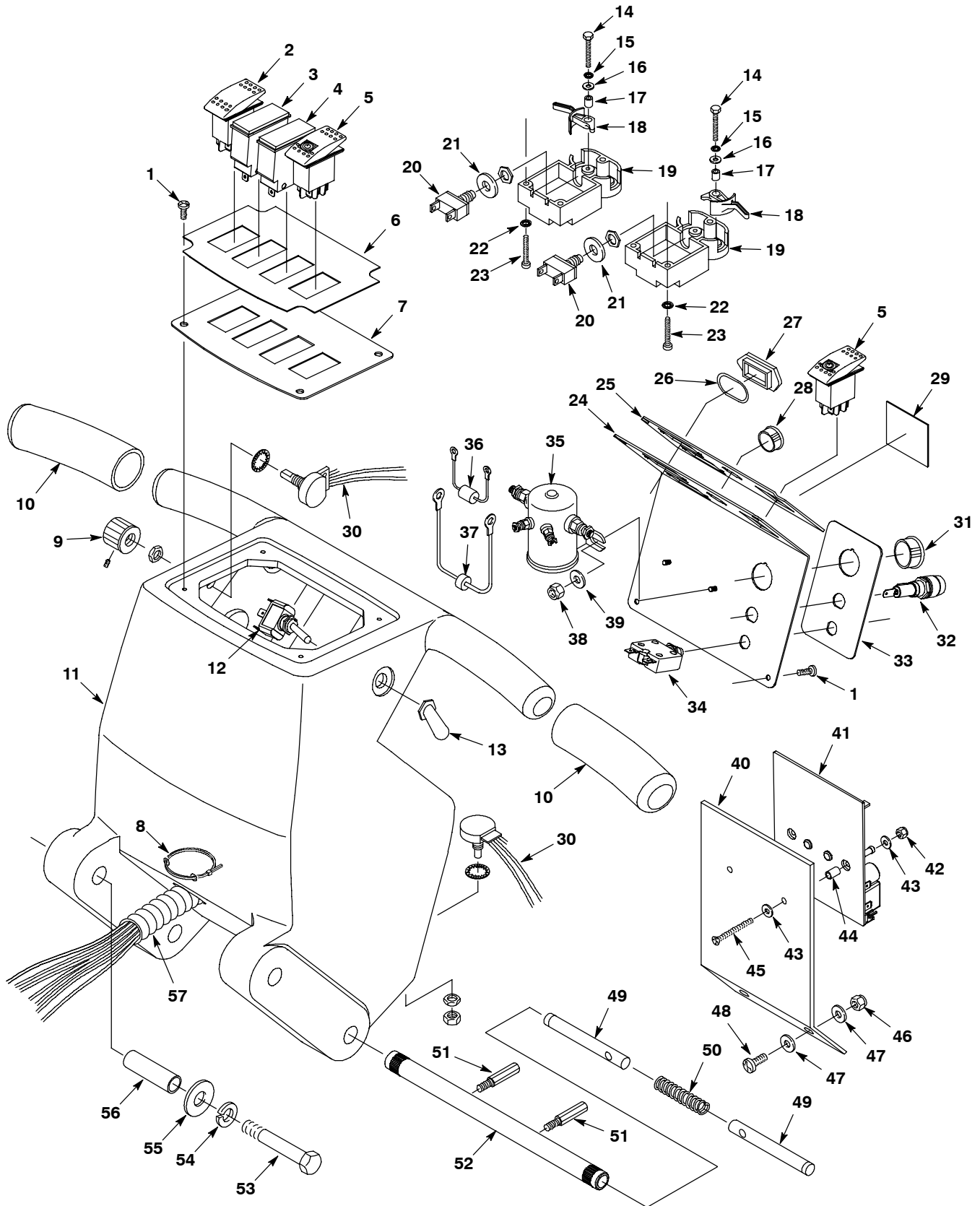
REF	PART #	DESCRIPTION	QTY.
1	603277	FRAME WELDMENT	1
2	1012021	●WHEEL, 8.0D 1.50W POLY	2
3	604293	SPACER, 3/4X4X1/16	1
4	603275	AXLE WELDMENT	1
5	140333	WASHER, M10 LOCK	6
6	06963	SCREW, M10X1.5X60 HEXHD	4
7	150210	PLUG, CAP BLACK	2
8	15675	SCREW, M8X1.25X16 HXHDCP	2
9	140015	WASHER, 5/16" LOCK	2
10	140048	WASHER, 5/16" (FOR #150210)	2
11	140047	WASHER, 1.24X.754X.062	2
12	140431	SPRING, EXT 1.0X5	4
13	609450	BRACKET, SPRING	1
14	600952	●ACTUATOR	1
15	604076	PIN, CLEVIS 10X28MM	2
16	578421	PIN, COTTER	2

REF	PART #	DESCRIPTION	QTY.
17	130133	TERMINAL, MALE RED	2
18	603267	PLATE, PIVOT ARM	2
19	069762098	SCREW, M6X1.0X16 FLTPHL	2
20	103066	●WHEEL, 4"DIA X1.5X.50 GRAY	2
21	140045	WASHER, 1/2" FLAT	2
22	603274	AXLE, REAR WHEELS	1
23	140144	BUSHING, .375X.500	2
24	140028	WASHER, 3/8" FLAT	8
25	140017	WASHER, 3/8" LOCK	2
26	69225	SCREW, 3/8-16X1 HXHDCP	2
27	140829	SCREW, #6-32X1 PANPHL	2
28	1013132	●SWITCH, SNAP 25A LEVER	1
29	140539	NUT, #6-32 KEP	2
30	140055	WASHER, FLAT .343X1.25X.057	2
31	09291	SCREW, M10X1.5X20 HXHDCP	2
32	611023	SLEEVE, SPRING	2

- RECOMMENDED STOCK ITEM / PIEZAS RECOMENDADAS EN ALMACÉN /
ÉLÉMENTS DE STOCK RECOMMANDÉS

PARTS LIST - LISTA DE PIEZAS - LISTE DES PIÈCES

CONTROL CONSOLE GROUP (Drive Model) / CONJUNTO CONSOLA DE CONTROLES (Modelo Impulsor) / TABLEAU DE COMMANDE (Modèle tracté)



PARTS LIST - LISTA DE PIEZAS - LISTE DES PIÈCES

CONTROL CONSOLE GROUP (Drive Model) / CONJUNTO CONSOLA DE CONTROLES (Modelo Impulsor) / TABLEAU DE COMMANDE (Modèle tracté)

REF	PART #	DESCRIPTION	QTY.
1	1009324	SCREW, #10X1/2 PANPHL	8
2	603399	●SWITCH, DPDT MOM ON/OFF	1
3	611926AM	●METER, PAD PRESSURE	1
4	611925AM	●METER, BATTERY VOLTAGE	1
5	601107	●SWITCH, LIGHTED ROCKER	2
6	612847	DECAL, SWITCH PANEL, DRIVE	1
7	1000217	PANEL, SWITCH UPPER	1
8	130041	WIRE TIE	1
9	606550	KNOB, SPEED CONTROL	1
10	1000395	GRIP, HANDLE	2
11	612870	HOUSING, CONTROL, GREEN	1
12	601108AM	●SWITCH, TOGGLE	1
13	130753	BOOT, SWITCH	1
▽	611470	●ASM., TRIGGER CONSOLE LT	1
▽	611471	●ASM., TRIGGER CONSOLE RT	1
▲ 14	069764190	SCREW, M3X.5X16 HXHD	2
▲ 15	200662012	WASHER, M3 LOCK	2
▲ 16	578186000	WASHER, M4 FLAT	2
▲ 17	578082000	SPACER, TRIGGER	2
▲ 18	578002000	ARM, TRIGGER	2
▲ 19	601429	CONSOLE, TRIGGER	2
▲ 20	130712	●SWITCH, MOMENTARY PULSE	2
▲ 21	578430	WASHER, SPRING, DISC.	2
22	02938	WASHER, LOCK, INT, 08, SS	6
23	1033197	SCREW, PAN, M4X0.7X24, PHL, SS	6
24	1000571	PANEL, SWITCH LOWER	1
25	612849	DECAL, METER PANEL	1
26	605823	O-RING, .926IDX.996	2
27	609969	PLUG, HOUR METER	2
28	130175	PLUG, DOME .75OD BLK	1
29	606105	DECAL, DO NOT SPRAY	1

REF	PART #	DESCRIPTION	QTY.
30	612854	●HARNESS, POTENTIOMETER	1
31	130161	PLUG, DOME .875OD BLK	1
32	578418	●FUSE HOLDER, BAYONETTE	1
	601091	●FUSE, 2AMP, 3AG FAST BLOW	1
33	612851	DECAL, CIRCUIT BREAKER	1
34	603487AM	●CIRCUIT BREAKER, 15.0A	1
35	130733AM	●SOLENIOD, 36V	1
36	606404	ASM., DIODE W/RING TERMINALS	1
37	604486	ASM., DIODE SPLICED	1
38	08712	NUT, M6X1.0 NYLOCK	2
39	140000	WASHER, 1/4" FLAT	2
40	1000271	BRACKET, CIRCUIT BOARD MNT	1
41	1000821	●CONTROLLER, PROPEL, 36VDC	1
42	02850	NUT, M4X0.7 HEXLCK	2
43	200301014	WASHER, M4.3 FLAT	4
44	610943	SPACER	2
45	1033197	SCREW, PAN, M4X0.7X24, PHL, SS	2
46	08712	NUT, M6X1.0 NYLOCK	2
47	140000	WASHER, 1/4" FLAT	4
48	600385	SCREW, M6X1.0X20 PANPHL	2
49	230710	PIN, HANDLE LOCK	2
50	140415	SPRING, LOCK PIN	1
51	230649	PIN, HANDLE ADJUSTMENT	2
52	230715	TUBE, HANDLE ADJUSTMENT	1
53	140351	SCREW, M12X1.75X70 HXHD	2
54	140024	WASHER, 1/2" LOCK	2
55	140045	WASHER, 1/2" FLAT	2
56	140155	BUSHING	2
57	612853	●HARNESS, WIRE MAIN	1

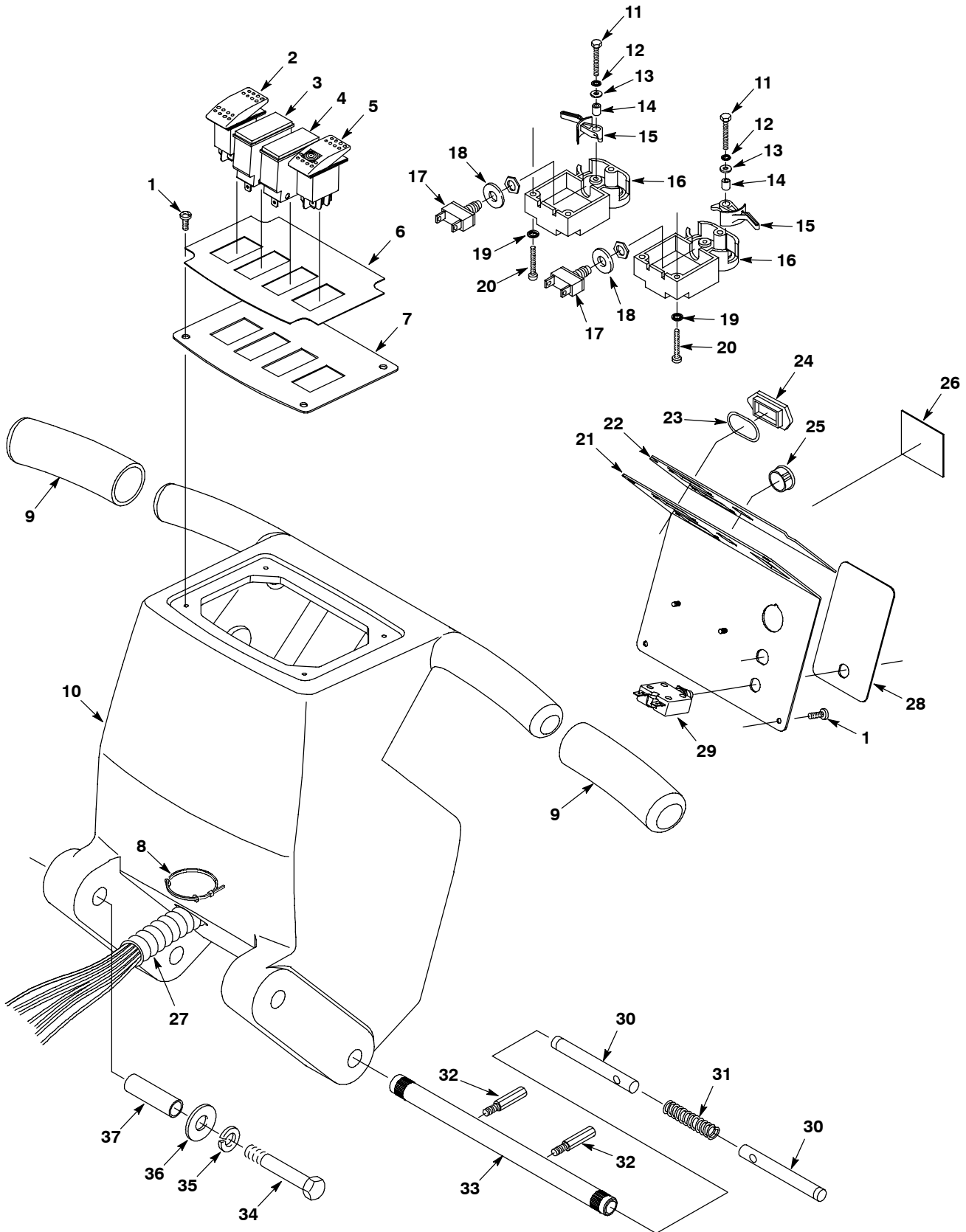
▽ ASSEMBLY / CONJUNTO / ENSEMBLE

▲ INCLUDED IN ASSEMBLY / INCLUIDO A CONJUNTA / Y COMPRIS EN ENSEMBLE

● RECOMMENDED STOCK ITEM / PIEZAS RECOMENDADAS EN ALMACÉN / ÉLÉMENTS DE STOCK RECOMMANDÉS

PARTS LIST - LISTA DE PIEZAS - LISTE DES PIÈCES

CONTROL CONSOLE GROUP (Push Model) / CONJUNTO CONSOLA DE CONTROLES (Modelo de Empuje) / GROUPE TABLEAU DE COMMANDE (Modèle non tracté)



PARTS LIST - LISTA DE PIEZAS - LISTE DES PIÈCES

CONTROL CONSOLE GROUP (Push Model) / CONJUNTO CONSOLA DE CONTROLES (Modelo de Empuje) / GROUPE TABLEAU DE COMMANDE (Modèle non tracté)

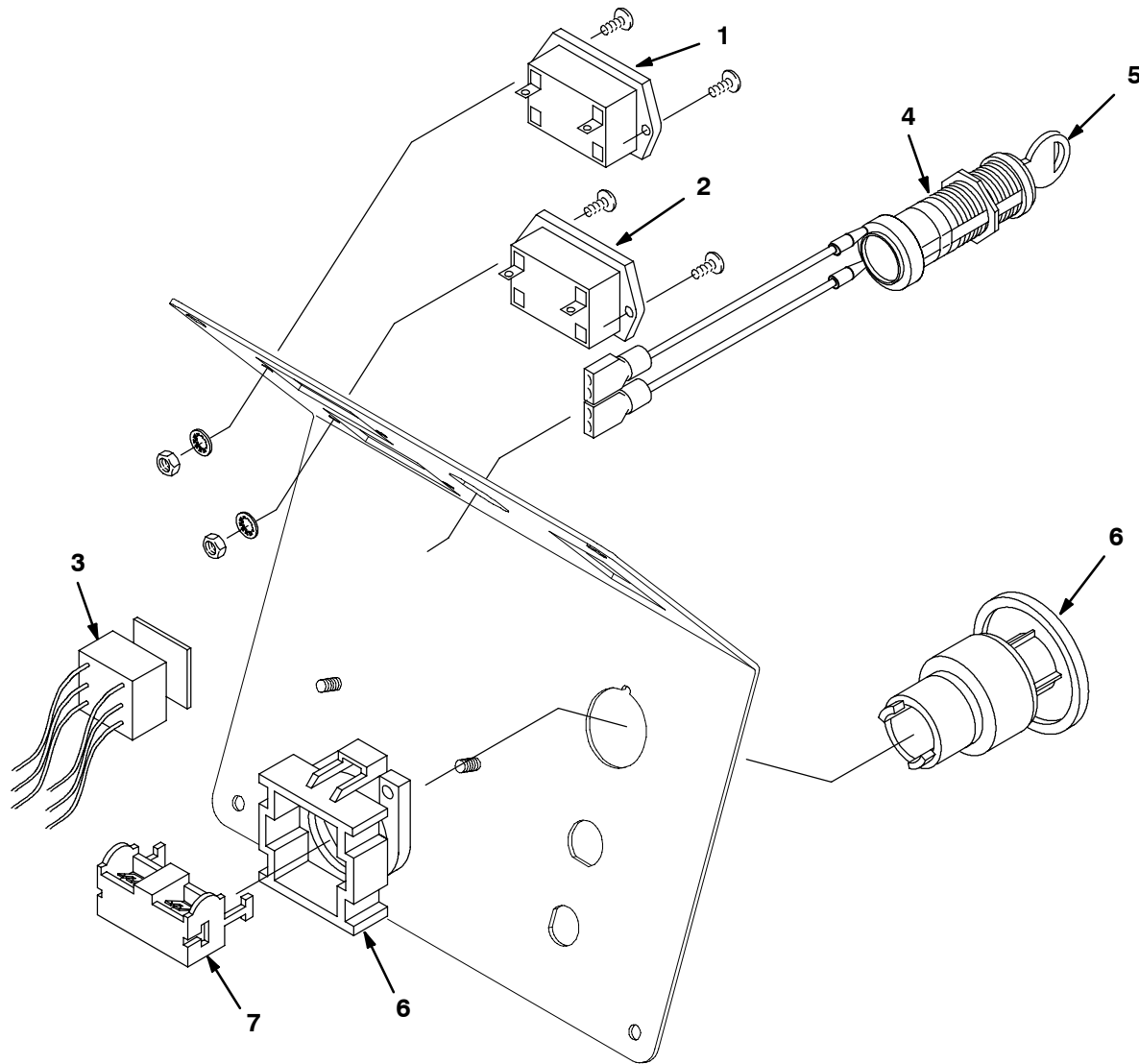
REF	PART #	DESCRIPTION	QTY.
1	1009324	SCREW, #10X1/2 PANPHL	8
2	603399	●SWITCH, DPDT MOM ON/OFF	1
3	611926AM	●METER, PAD PRESSURE	1
4	611925AM	●METER, BATTERY VOLTAGE	1
5	601107	●SWITCH, LIGHTED ROCKER	1
6	612848	DECAL, SWITCH PANEL, PUSH	1
7	1000217	PANEL, SWITCH UPPER	1
8	130041	WIRE TIE	1
9	1000395	GRIP, HANDLE	2
10	612978	HOUSING, CONTROL, GREEN	1
∇	611470	●ASM., TRIGGER CONSOLE LT	1
∇	611471	●ASM., TRIGGER CONSOLE RT	1
▲ 11	069764190	SCREW, M3X.5X16 HXHD	2
▲ 12	200662012	WASHER, M3 LOCK	2
▲ 13	578186000	WASHER, M4 FLAT	2
▲ 14	578082000	SPACER, TRIGGER	2
▲ 15	578002000	ARM, TRIGGER	2
▲ 16	601429	CONSOLE, TRIGGER	2
▲ 17	130712	●SWITCH, MOMENTARY PULSE	2
▲ 18	578430	WASHER, SPRING, DISC.	2

REF	PART #	DESCRIPTION	QTY.
19	02938	WASHER, LOCK, INT, 08, SS	6
20	1033197	SCREW, PAN, M4X0.7X24, PHL, SS	6
21	1000571	PANEL, SWITCH LOWER	1
22	612850	DECAL, METER PANEL	1
23	605823	O-RING, .926IDX.996	2
24	609969	PLUG, HOUR METER	2
25	130175	PLUG, DOME .75OD BLK	1
26	606105	DECAL, DO NOT SPRAY	1
27	612887	●HARNESS, WIRE MAIN	1
28	612852	DECAL, CIRCUIT BREAKER	1
29	603487AM	●CIRCUIT BREAKER, 15.0A	1
30	230710	PIN, HANDLE LOCK	2
31	140415	SPRING, LOCK PIN	1
32	230649	PIN, HANDLE ADJUSTMENT	2
33	230715	TUBE, HANDLE ADJUSTMENT	1
34	140351	SCREW, M12X1.75X70 HXHD	2
35	140024	WASHER, 1/2" LOCK	2
36	140045	WASHER, 1/2" FLAT	2
37	140155	BUSHING	2

- ∇ ASSEMBLY / CONJUNTO / ENSEMBLE
- ▲ INCLUDED IN ASSEMBLY / INCLUIDO A CONJUNTA / Y COMPRIS EN ENSEMBLE
- RECOMMENDED STOCK ITEM / PIEZAS RECOMENDADAS EN ALMACÉN / ÉLÉMENTS DE STOCK RECOMMANDÉS

OPTIONS - OPCIONES - ÉQUIPEMENT AU CHOIX

HOUR METER, EMERGENCY STOP AND KEYSWITCH KITS / JUEGO DE MEDIDOR HORA, PARO DE EMERGENCIA, Y CONMUTADOR DE LLAVE / COMPTEUR HORAIRE LOT, ARRÊTS D'URGENCE ET KITS DE KEYSWITCH



REF	PART #	DESCRIPTION	QTY.
▽	612939	●KIT, HOUR METER	1
▲ 1	1010555	●HOUR METER & HARDWARE	1
▽	612941	●KIT, LOW VOLTAGE SHUT-OFF	1
▲ 2	600832	●GAUGE, BATTERY	1
▲ 3	604641	ASM., RELAY LOW VOLTAGE KIT	1
▲	603078	ASM., WIRE #18X9" GREEN	1
▲	603080	ASM., WIRE #18X8" BLACK	1
▲	603081	ASM., WIRE #18X12" RED	1
▲	130040	WIRE TIE, NYLON	1

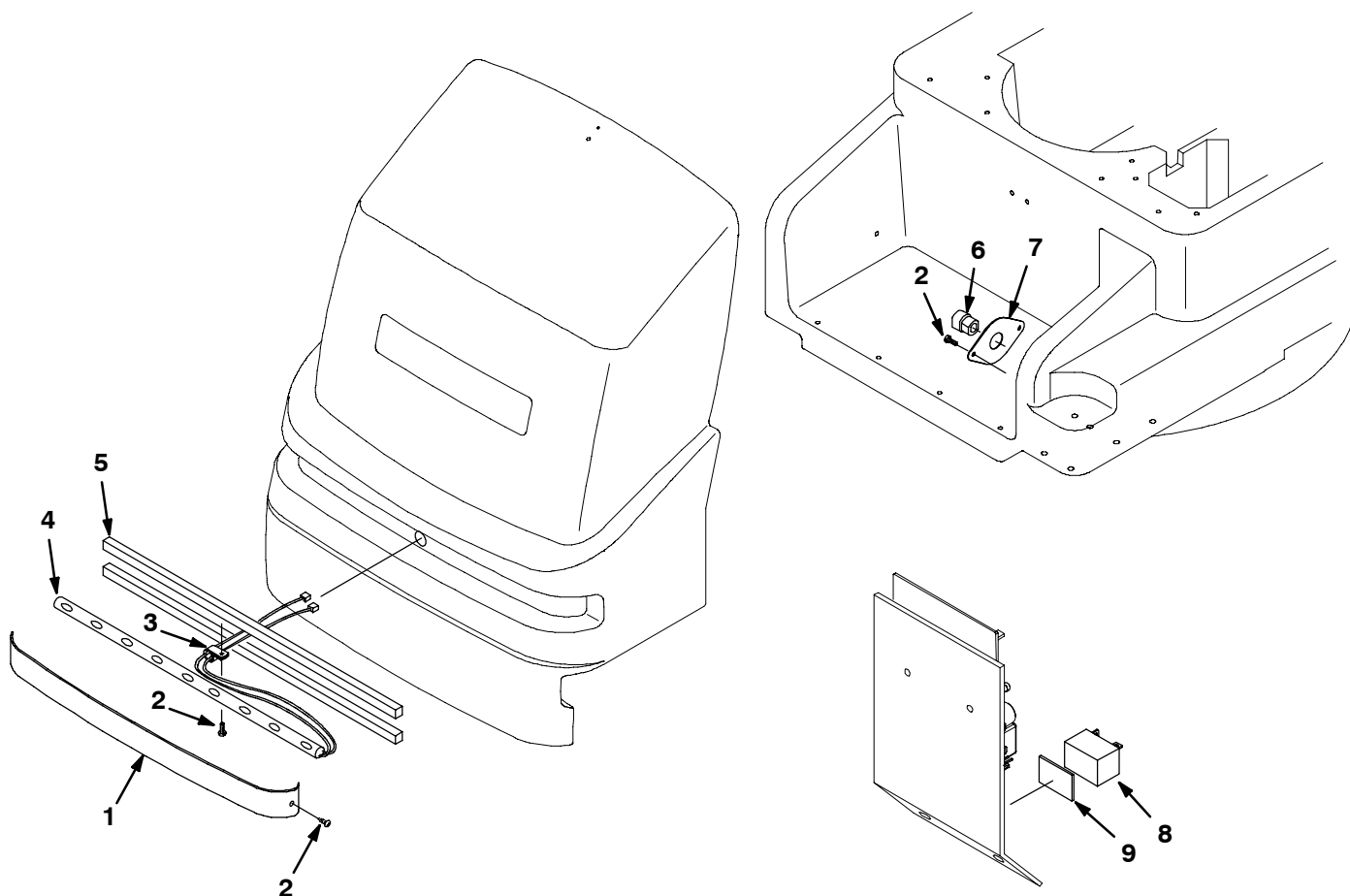
REF	PART #	DESCRIPTION	QTY.
▽	612973	●KIT, KEY SWITCH	1
▲ 4	607475	●KEY SWITCH	1
▲ 5	607821	●KEY, REPLACEMENT	1
▽	612971	●KIT, EMERGENCY STOP	1
▲ 6	630100	●SWITCH, EMERGENCY STOP BUTTON	1
▲ 7	630097	●SWITCH, CONTACT BLOCK	1
▲	602996	ASM, WIRE #16X5" RED 1/4FX1/4F	1
▲	602997	ASM, WIRE #16X5" RED 1/4MX1/4F	1

▽ ASSEMBLY / CONJUNTO / ENSEMBLE

▲ INCLUDED IN ASSEMBLY / INCLUIDO A CONJUNTA / Y COMPRIS EN ENSEMBLE

● RECOMMENDED STOCK ITEM / PIEZAS RECOMENDADAS EN ALMACÉN / ÉLÉMENTS DE STOCK RECOMMANDÉS

FLASHING LIGHT KIT / JUEGO DE LUZ CENTELLEANTE / LOT FEU A ECLATS



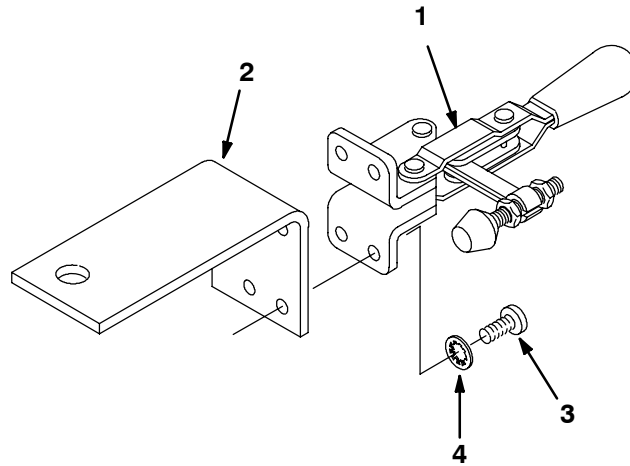
REF	PART #	DESCRIPTION	QTY.
∇	612975	●KIT, FLASHING LIGHTS	1
▲ 1	1000650	SHIELD, LIGHT	1
▲ 2	140825	SCREW, #6X1/2 SHTMTL	5
▲ 3	140326	CLAMP, WIRE	1
▲ 4	603440	●LIGHT, SAFETY	1

REF	PART #	DESCRIPTION	QTY.
▲ 5	606242	GASKET	1
▲ 6	607115	BUSHING, STRAIN RELIEF	1
▲ 7	1000547	BRACKET, HOLE COVER	1
▲ 8	603839	●FLASHER, 36VDC	1
▲ 9	606243	TAPE, ACRYLIC FOAM	1

- ∇ ASSEMBLY / CONJUNTO / ENSEMBLE
 ▲ INCLUDED IN ASSEMBLY / INCLUIDO A CONJUNTA / Y COMPRIS EN ENSEMBLE
 ● RECOMMENDED STOCK ITEM / PIEZAS RECOMENDADAS EN ALMACÉN / ÉLÉMENTS DE STOCK RECOMMANDÉS

OPTIONS - OPCIONES - ÉQUIPEMENT AU CHOIX

PARKING BRAKE KIT / JUEGO DEL FRENO DE ESTACIONAMIENTO / KIT DE FREIN DE PARCAGE



REF	PART #	DESCRIPTION	QTY.
∇	604502	●KIT, PARKING BRAKE	1
▲	600634	CLAMP, PARKING BRAKE	1
▲	603122	BRACKET, PARKING BRAKE	1

REF	PART #	DESCRIPTION	QTY.	
▲	3	140887	SCREW, #10-24X3/8 PANPHL	4
▲	4	07514	WASHER, LOCK, INT, #10, SS	4

- ∇ ASSEMBLY / CONJUNTO / ENSEMBLE
- ▲ INCLUDED IN ASSEMBLY / INCLUIDO A CONJUNTA / Y COMPRIS EN ENSEMBLE
- RECOMMENDED STOCK ITEM / PIEZAS RECOMENDADAS EN ALMACÉN / ÉLÉMENTS DE STOCK RECOMMANDÉS